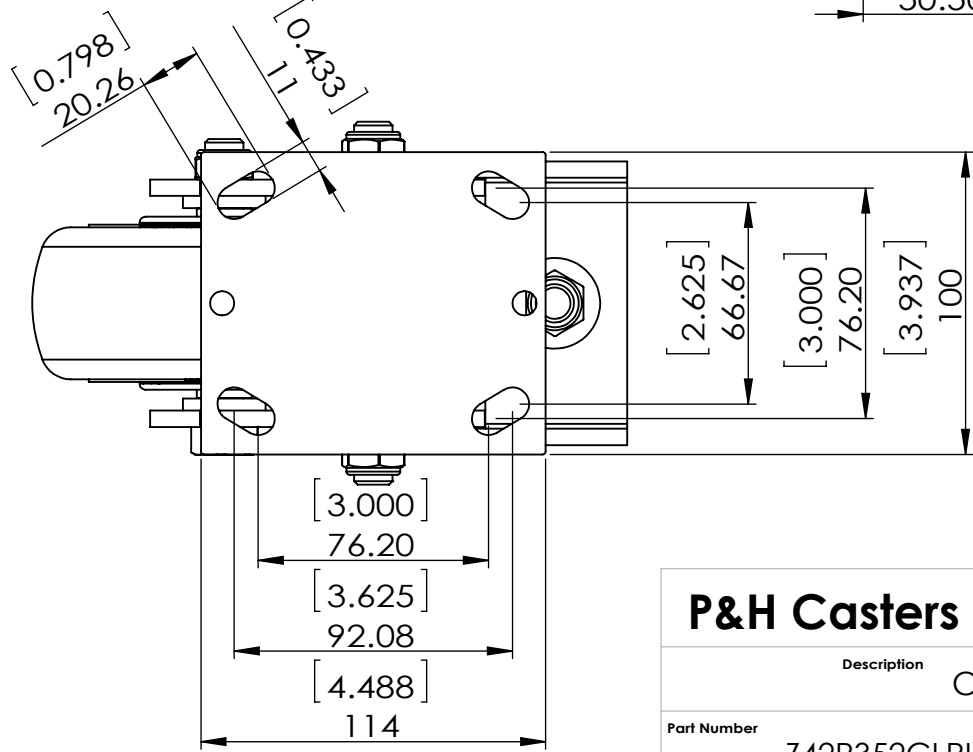
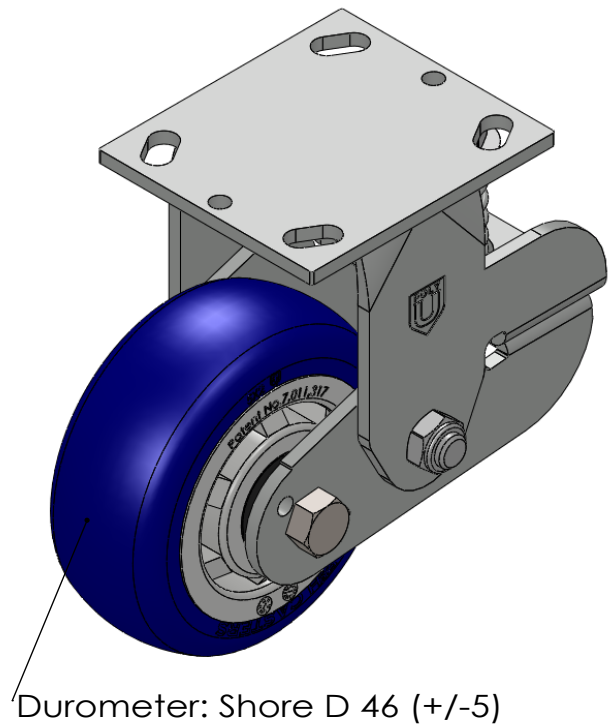
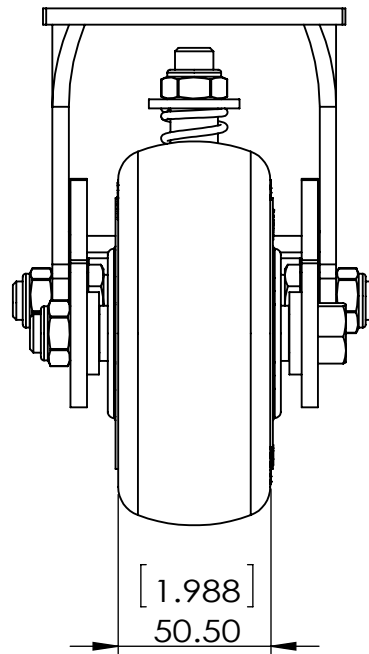
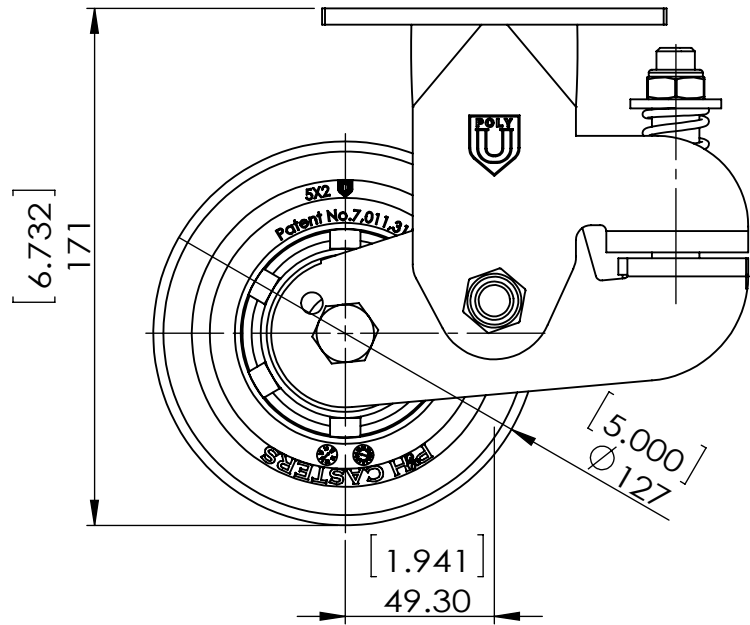


REV NO.	Revision Note	Date	Signature



Dimensions in mm [inch]

P&H Casters		Scale	1:2.5	Volume (mm ³)	Drawn By:	Date
Description				CASTER		P&H Approval
Part Number		Revision		Sheet	Date	 FIRST ANGLE PROJECTION
Z42P352CLPLSL		REV A		01		