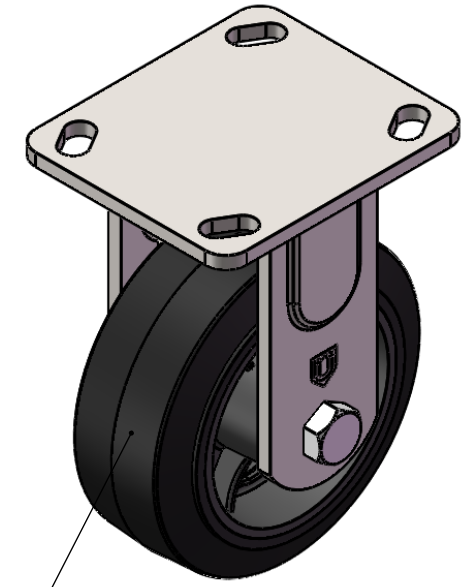
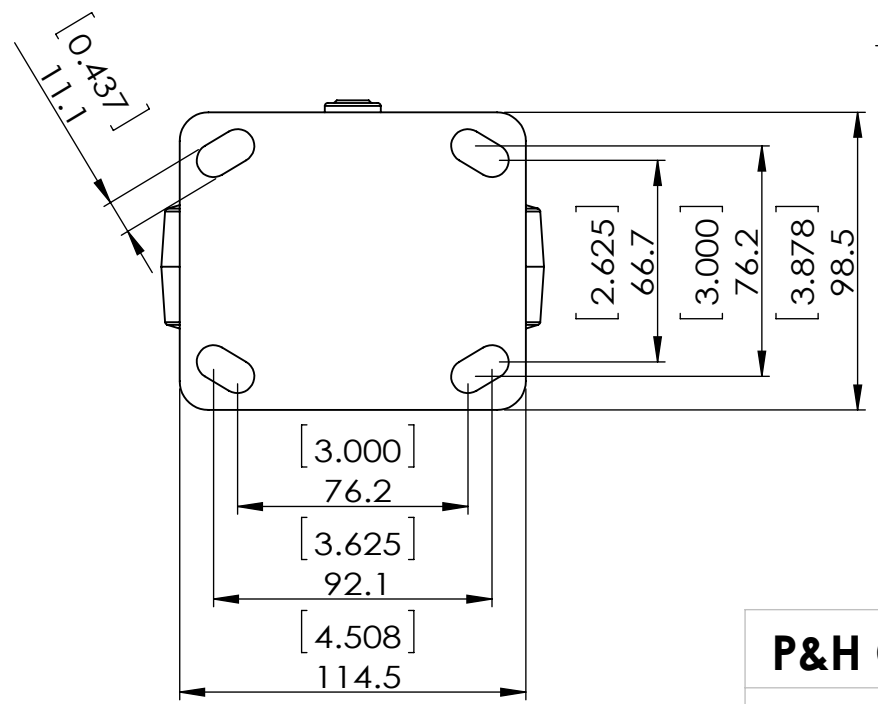


3/8-16 UNC

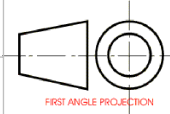


Durometer: Shore A 85~90



Dimensions in mm [inch]

P&H Casters		Scale	1:2.5	Volume (mm ^ 3)	Drawn By:	Date
Description		CASTER			Hua	2020/6/1
Part Number	Revision	Sheet	Date			
Z42P352MBNL	REV A	01	2020/6/1			



FIRST ANGLE PROJECTION