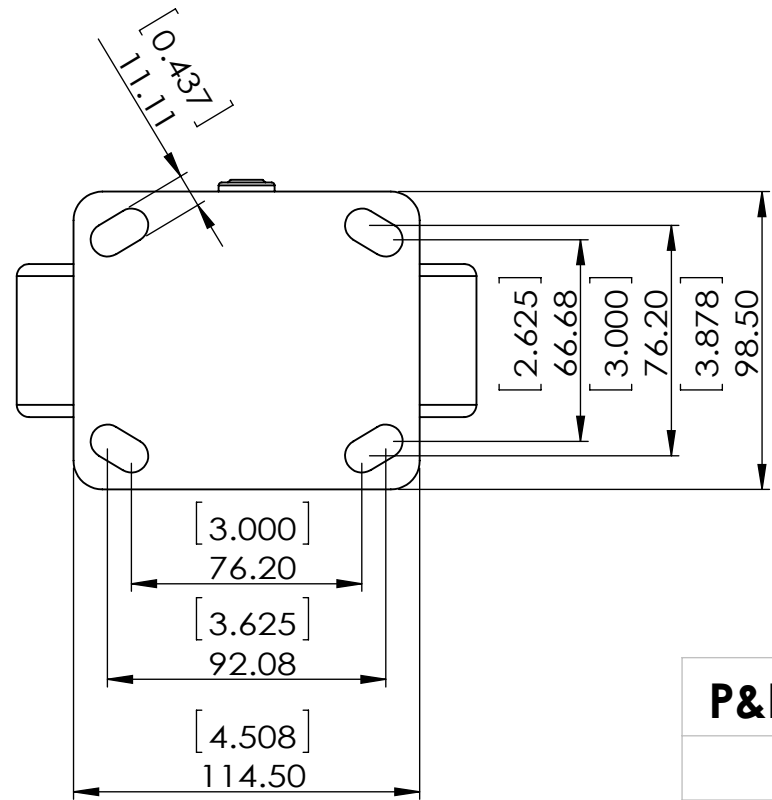


Durometer: Shore D 46 (+/-5)



Dimensions in mm [inch]

P&H Casters		Scale	1:2.5	Volume (mm ³)	Drawn By:	Date
Description		CASTER			Hua	2019/9/11
Part Number	Revision	Sheet	Date			
Z42P362ZPUL	REV A	01	2019/9/11			

