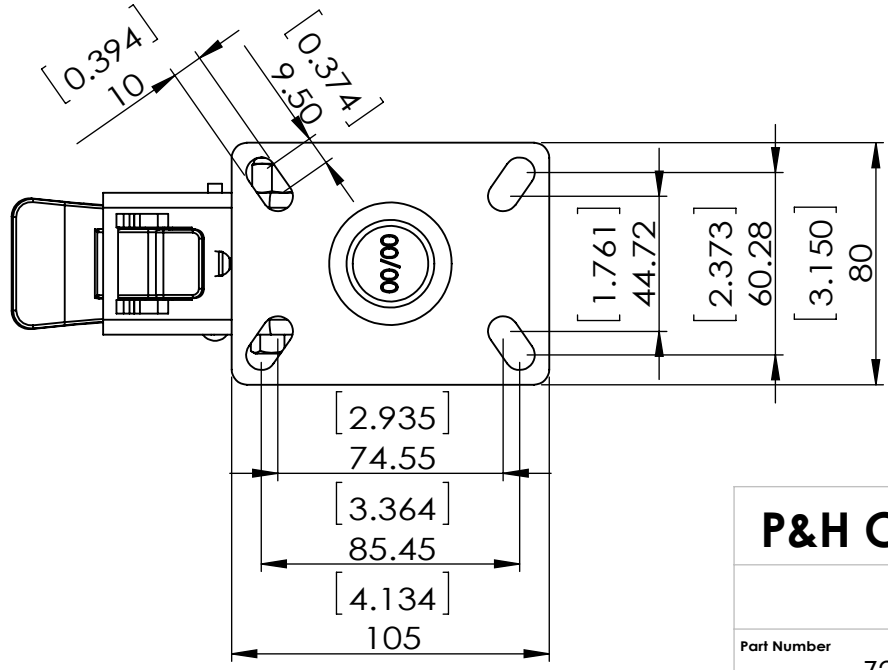
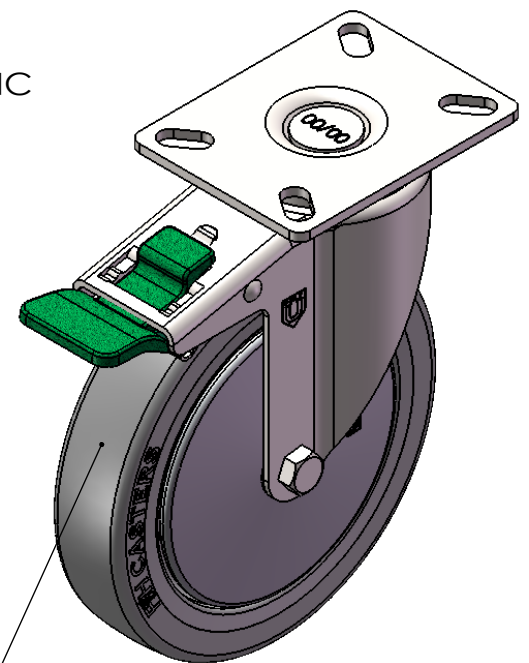
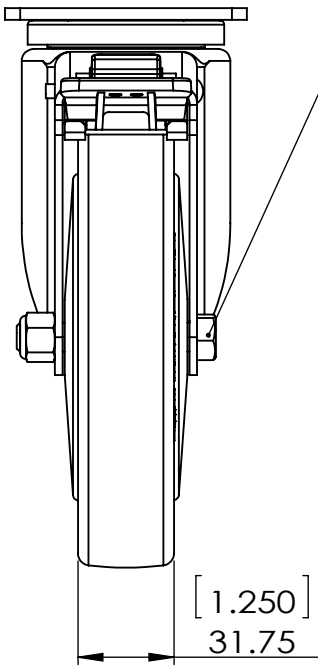
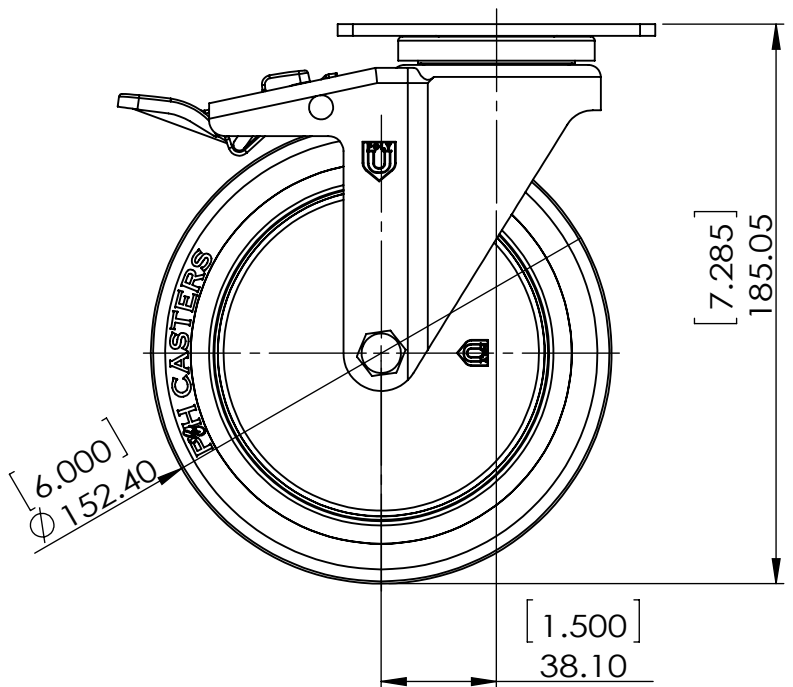


REV NO.	Revision Note	Signature	Date	Checked	Date



Dimensions in mm [inch]

P&H Casters		Scale	1:2.5	Volume (mm ³)	Drawn By:	Date
Description		CASTER			Hua	2019/4/23
Part Number	Revision	Sheet	01	Date	Andy	2019/4/23
Z26P264NEKHR REV A						