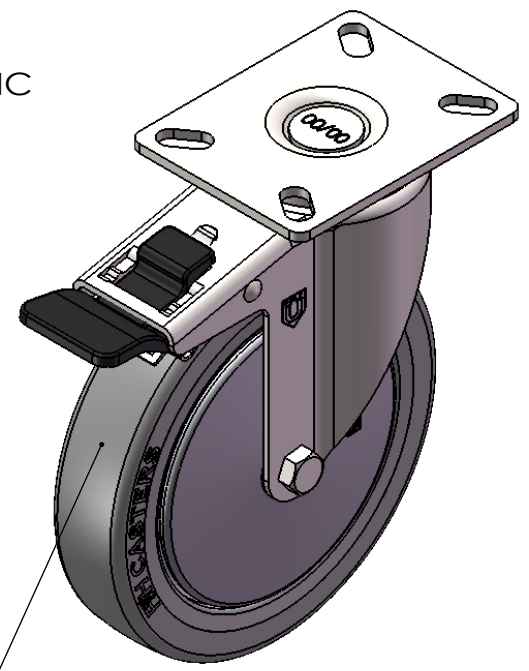
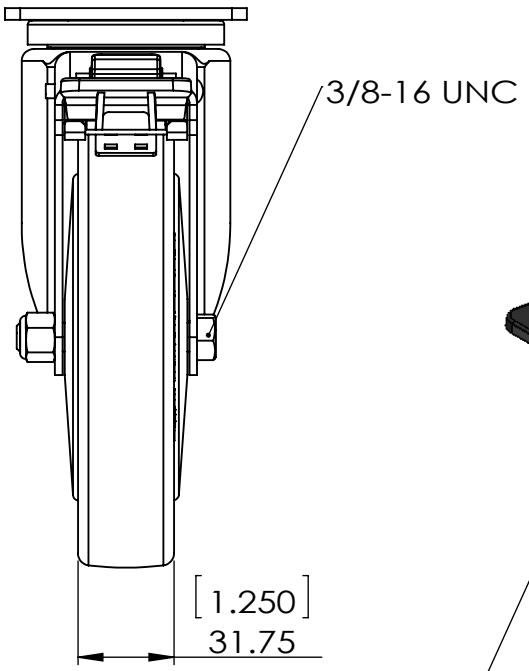
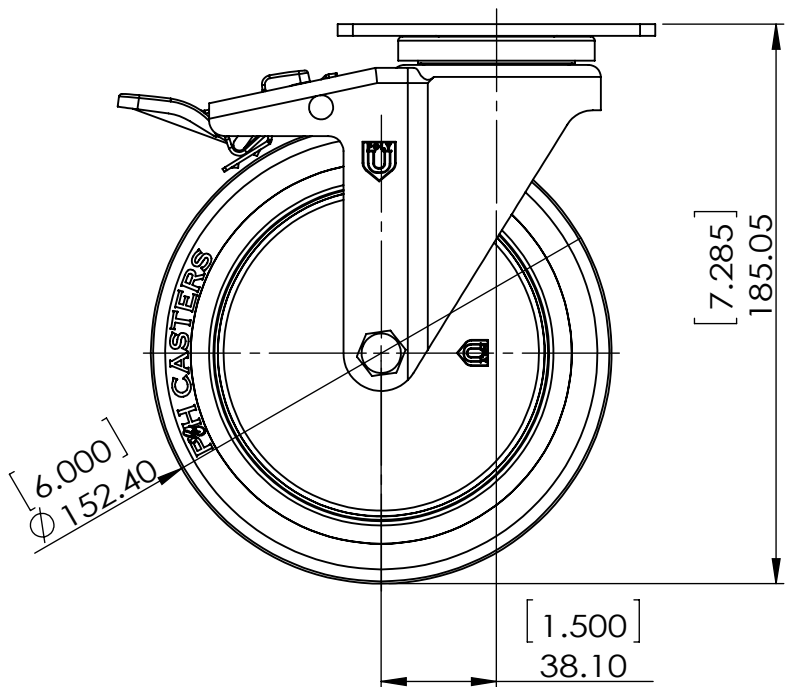
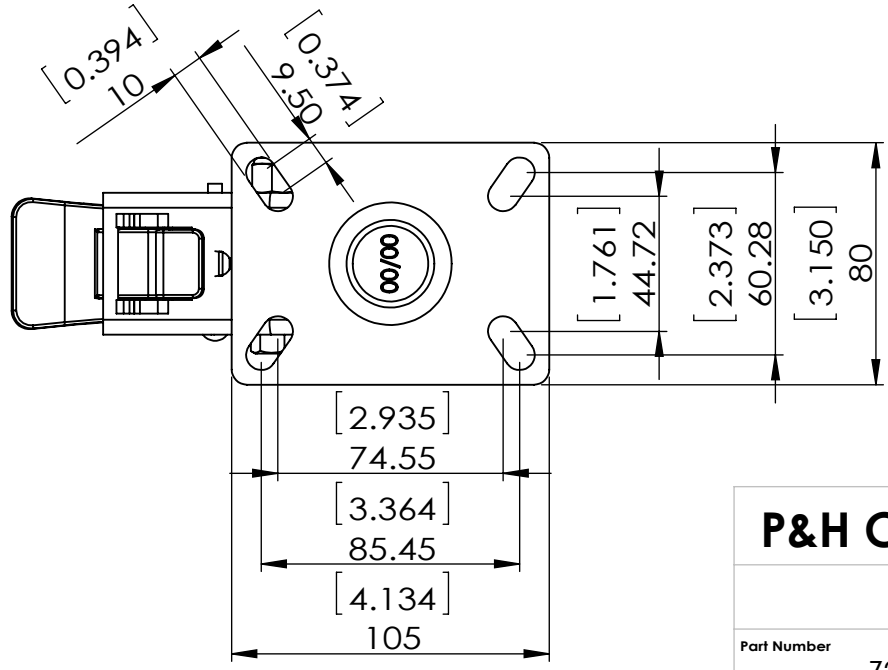


REV NO.	Revision Note	Signature	Date	Checked	Date



Durometer: Shore A 70 (+/-5)



Dimensions in mm [ inch ]

<b>P&amp;H Casters</b>		Scale	<b>1:2.5</b>	Volume ( mm <sup>3</sup> )	Drawn By:	Date
Description		CASTER		Reviewed	Hua	2019/4/23
Part Number	Revision	Sheet	<b>01</b>	Date	Andy	2019/4/23
Z26P264NEKHT REV A						