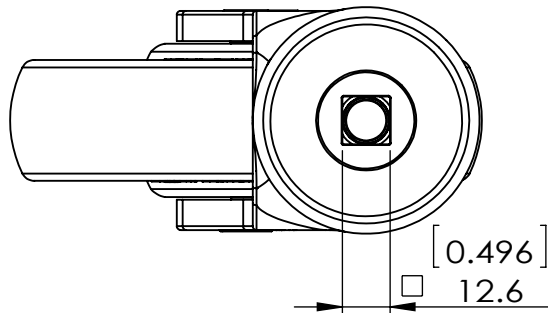


5/16-18 UNC



Durometer: Shore A 80 (+/-5)



Dimensions in mm [inch]

P&H Casters		Scale 1:2	Volume (mm ³)	Drawn By: Hua	Date 2020/5/8
Description CASTER				Reviewed Andy	 <small>FIRST ANGLE PROJECTION</small>
Part Number P30C454IGDNFR REV A	Revision	Sheet 01	Date 2020/5/8		