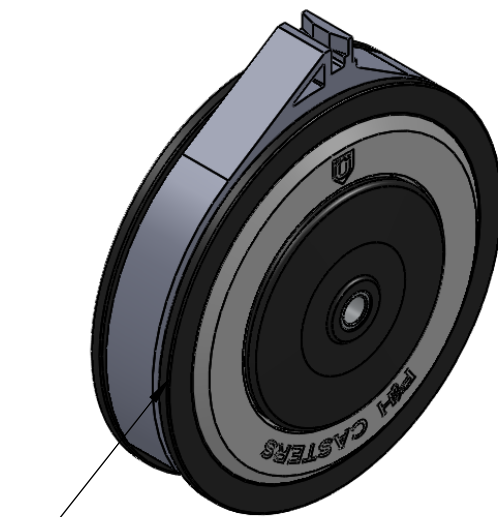
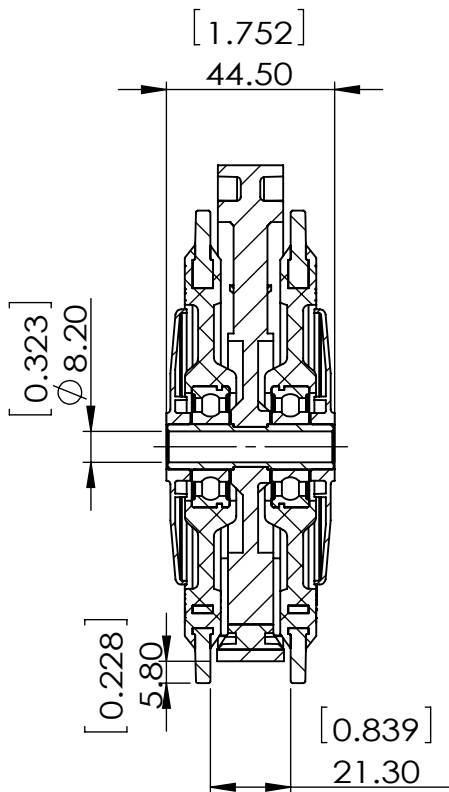
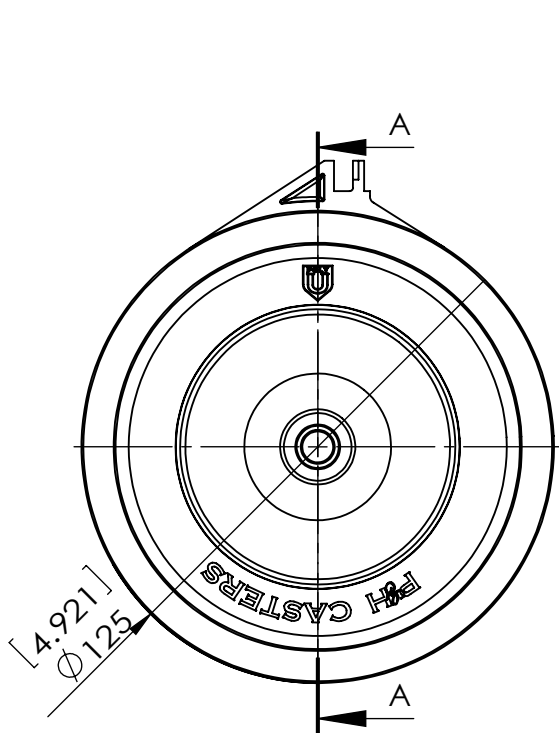


REV NO.	Revision Note	Signature	Date	Checked	Date



Durometer: Shore D 63~8

SECTION A-A

Dimensions in mm [ inch ]

<b>P&amp;H Casters</b>		Scale <b>1:2</b>	Volume ( mm <sup>3</sup> )	Drawn By: Hua	Date 2019/10/23
Description WHEEL				Reviewed Andy	
Part Number W533DCG0H8	Revision REV A	Sheet <b>01</b>	Date 2019/10/23		