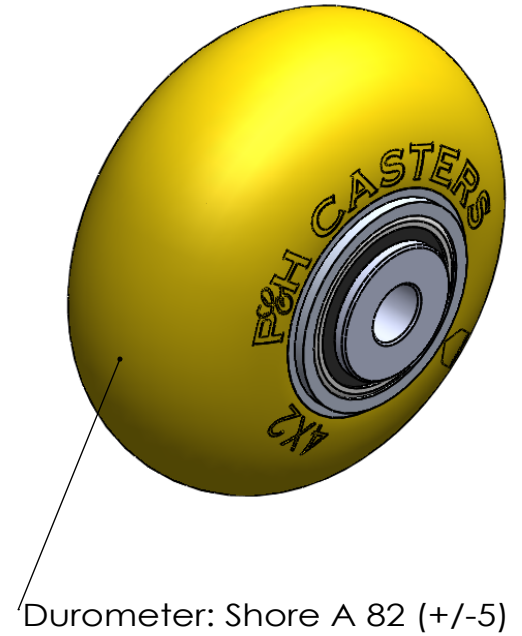


A-A



Dimensions in mm [inch]

P&H Casters		Scale 1:1.5	Volume (mm ³)	Drawn By: Hua	Date 2020/7/16
Description WHEEL			Reviewed Andy	<p>FIRST ANGLE PROJECTION</p>	
Part Number W85042SURT	Revision REV A	Sheet 01	Date 2020/7/16		