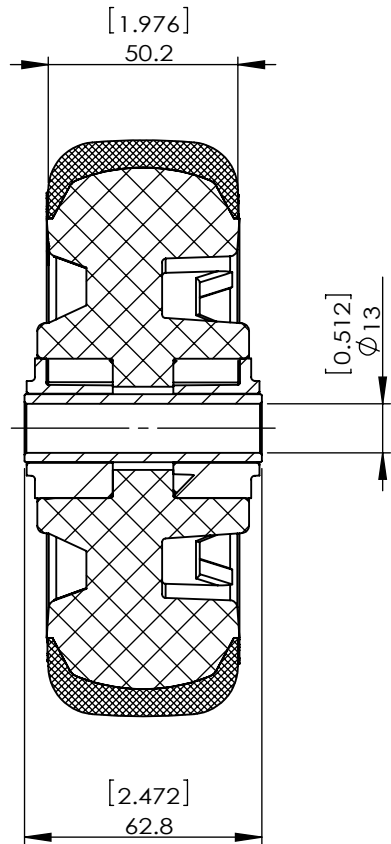
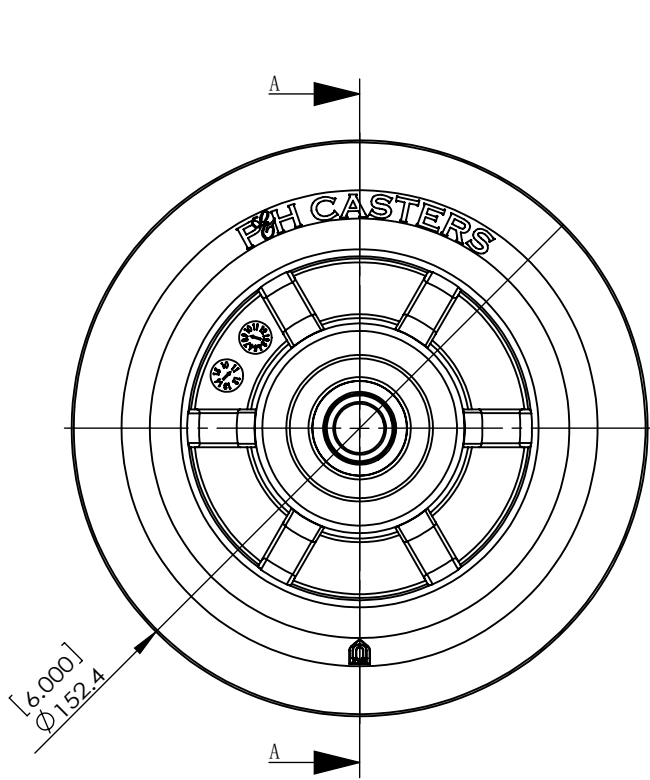
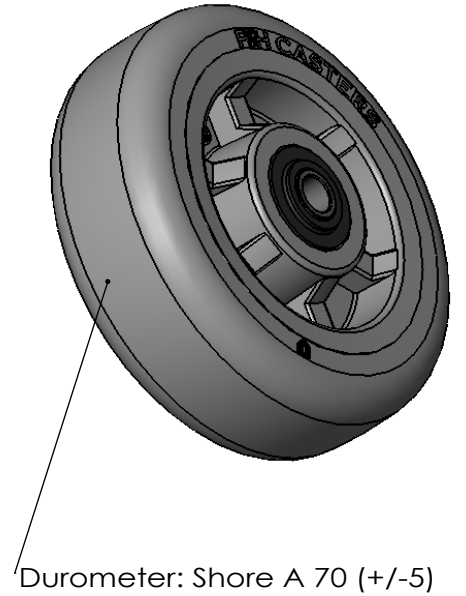


REV NO.	Revision Note	Date	Signature



SECTION A-A
SCALE 1 : 2



Dimensions in mm [inch]

P&H Casters		Scale 1:2	Volume (mm ³)	Drawn By: Hua	Date 2019/4/10
Description WHEEL				P&H Approval	
Part Number WN4062TM REV A	Revision	Sheet 01	Date		

