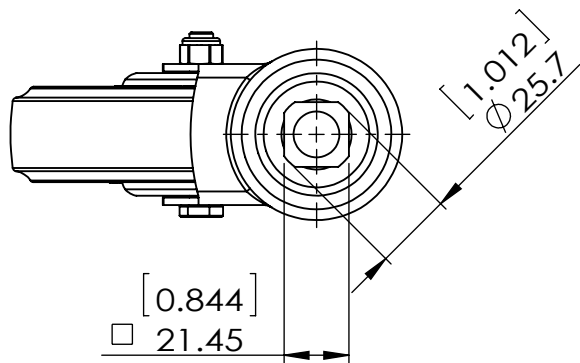


Durometer: Shore A 80 (+/-5)



Dimensions in mm [in]

P&H Casters		Scale 1:2.5	Volume (mm ^ 3)	Drawn By: Ronny	Date 2020/1/7
Description CASTER				Reviewed By: Andy	 <small>FIRST ANGLE PROJECTION</small>
Part Number Z20S254NTDE	Revision REV A	Sheet 01	Date 2020/1/7		