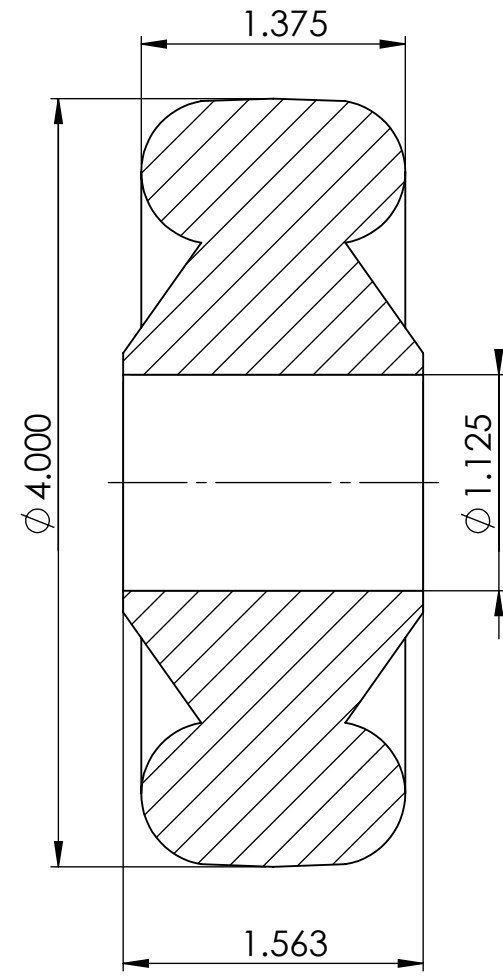
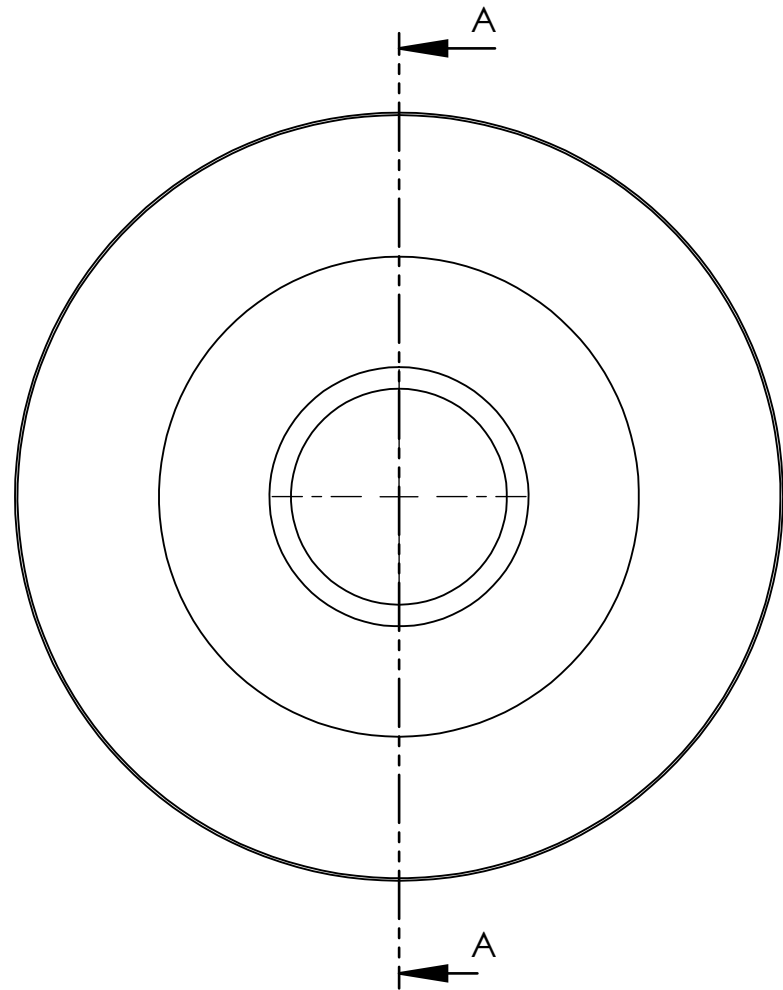
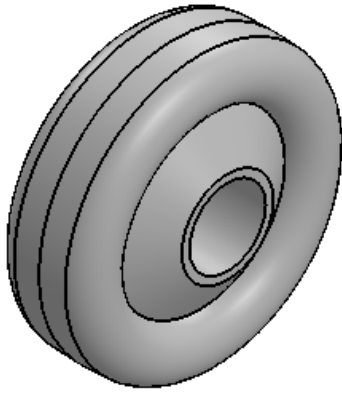


REV NO.	Revision Note	Date	Signature	Checked



SECTION A-A
SCALE 1 : 1

P&H Casters

Scale
1:1

Volume (mm³)

Drawn By:
Ashley

Date
2/3/20

Description
4" x 1 3/8" White Polypropylene

P&H Approval

Part Number
4-11M-W

Revision
REV A

Sheet
01

Date

