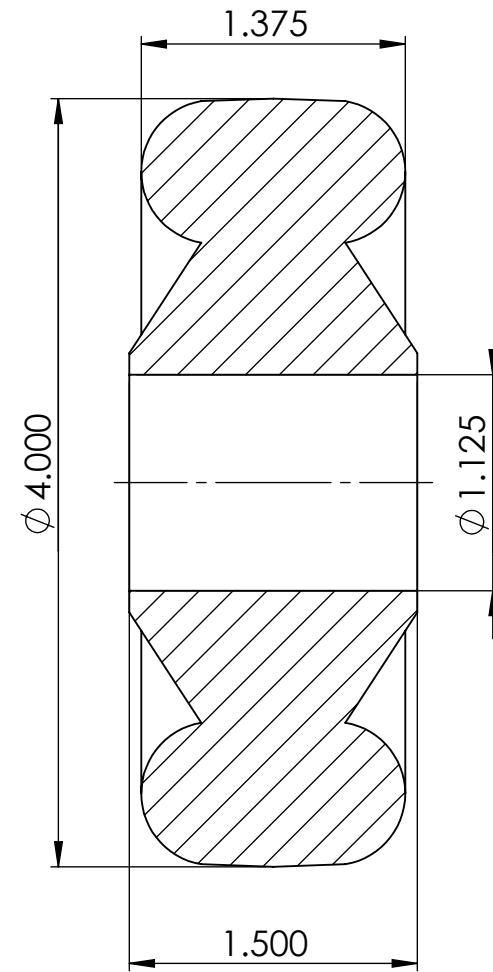
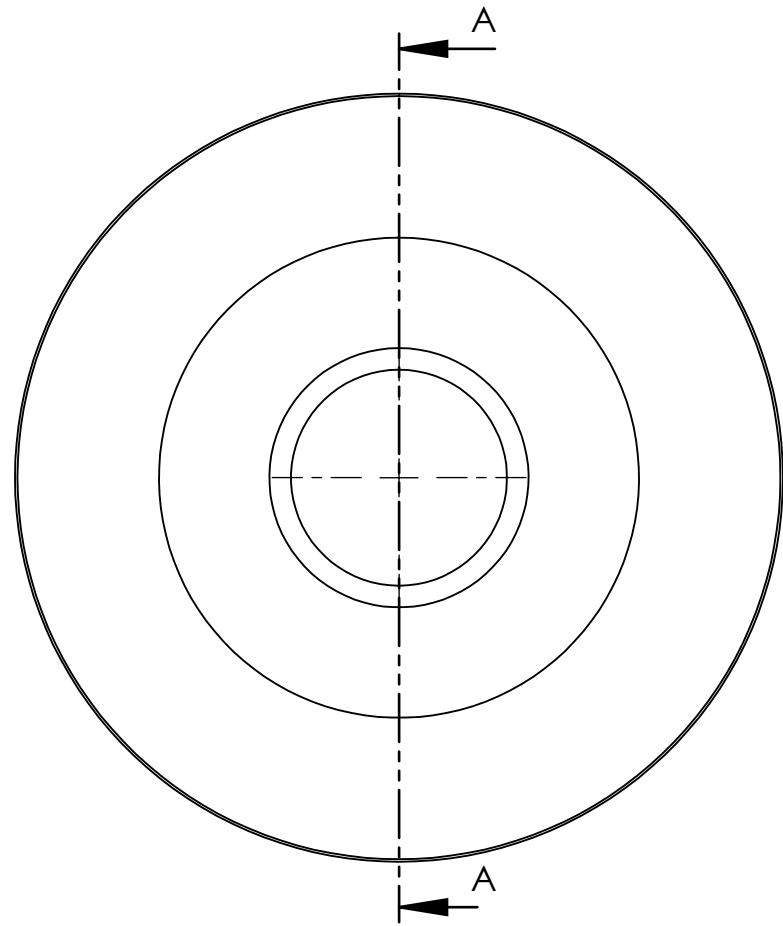
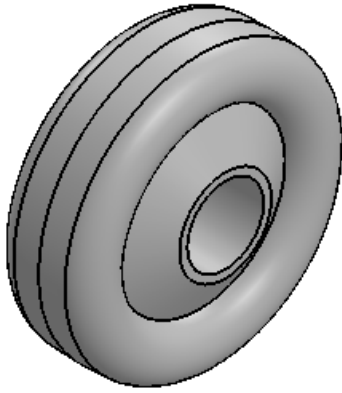


REV NO.	Revision Note	Date	Signature	Checked



SECTION A-A  
SCALE 1 : 1

<b>P&amp;H Casters</b>	Scale 1:1	Volume (mm <sup>3</sup> )	Drawn By: Ashley	Date 1/31/20
Description 4" x 1 3/8" White Retort			P&H Approval	
Part Number 4-121M-W	Revision REV A	Sheet 01	Date	