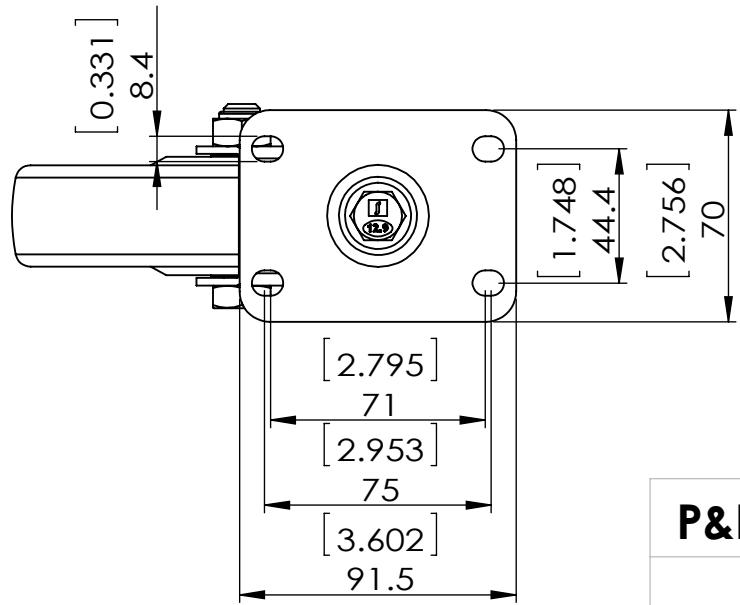


Durometer: Shore A 85 (+/-5)



Dimensions in mm [ inch ]

<b>P&amp;H Casters</b>		Scale	<b>1:2.5</b>	Volume ( mm ^ 3 )	Drawn By:	Date
Description		CASTER			Hua	2020/5/8
Part Number	Revision	Sheet	<b>01</b>	Date	Andy	
C25P163QC0V	REV A			2020/5/8		