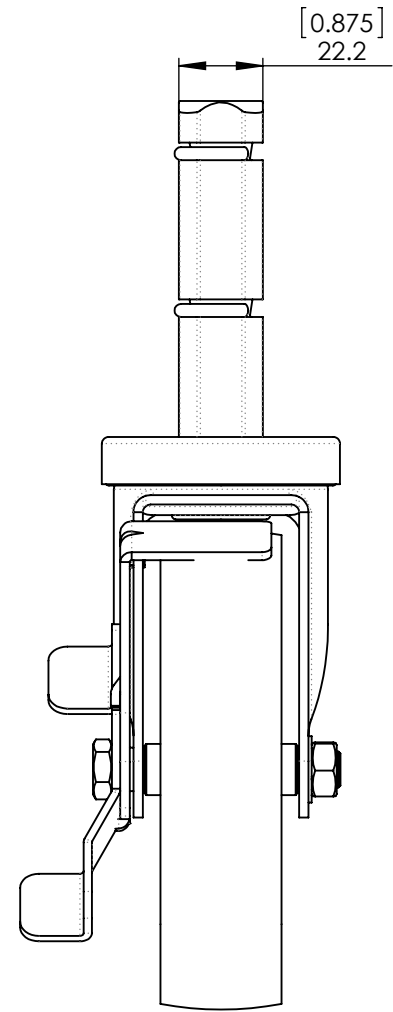
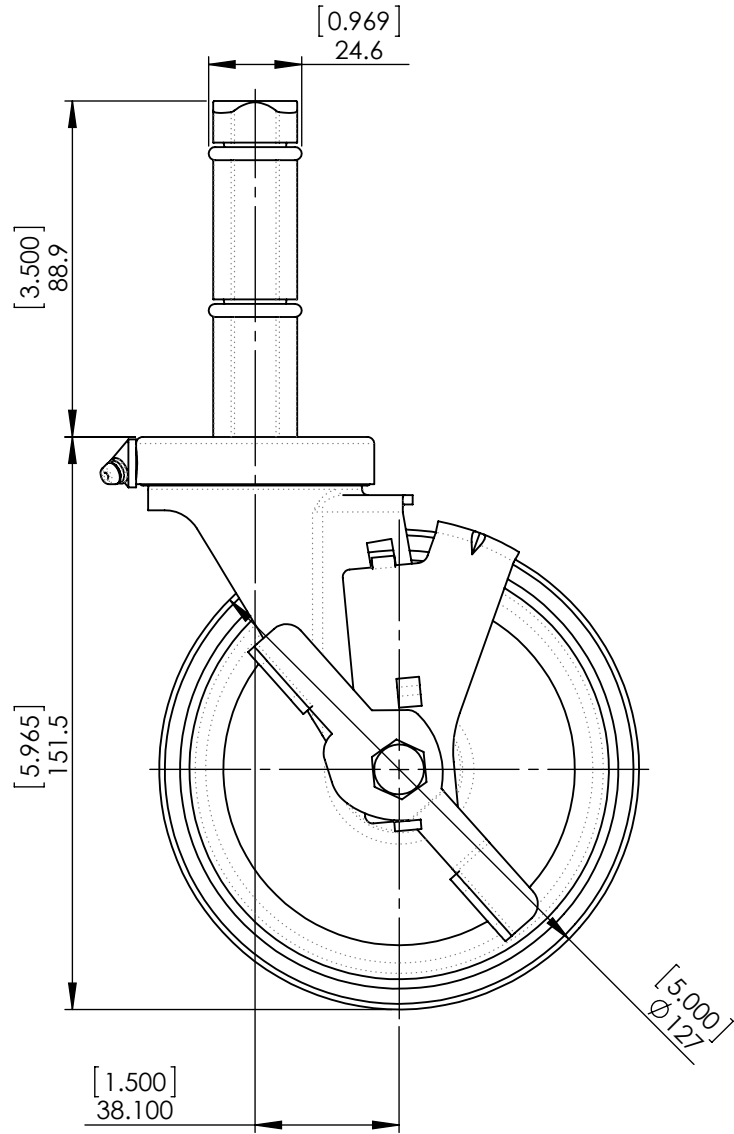
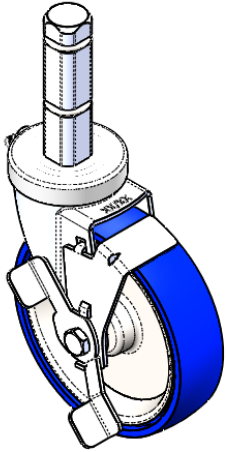


REV NO.	Revision Note	Date	Signature



P&H Casters		Scale	1:2.5	Volume (mm ³)	Drawn By:	Date
Description				CASTER		P&H Approval
Part Number	Revision	Sheet	01	Date	 FIRST ANGLE PROJECTION	
T26FA547JKJFS	REV A				Ronny	11/10/2016

THE INFORMATION CONTAINED IN THIS DRAWING IS CONFIDENTIAL AND SOLE PROPERTY OF P&H CASTERS CO. ANY REPRODUCTION IN PART OR AS A WHOLE WITHOUT THE WRITTEN PERMISSION OF P&H CASTERS IS PROHIBITED.