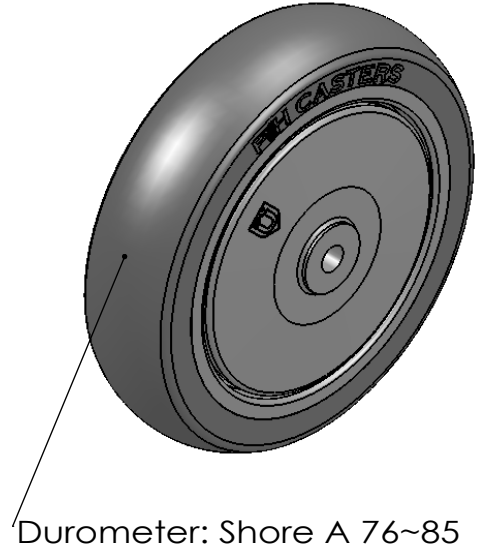
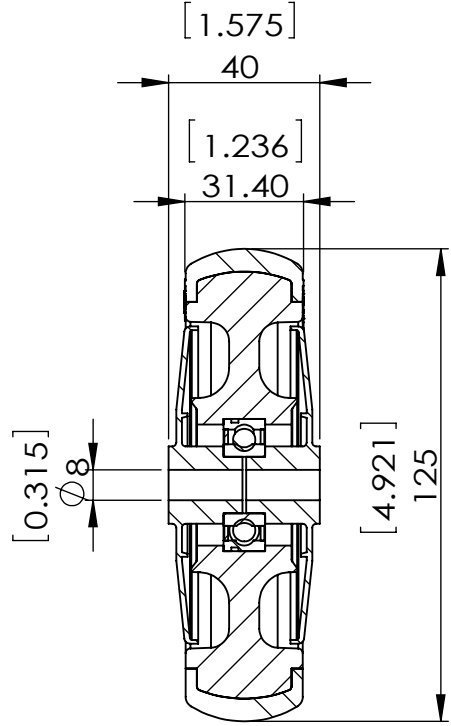
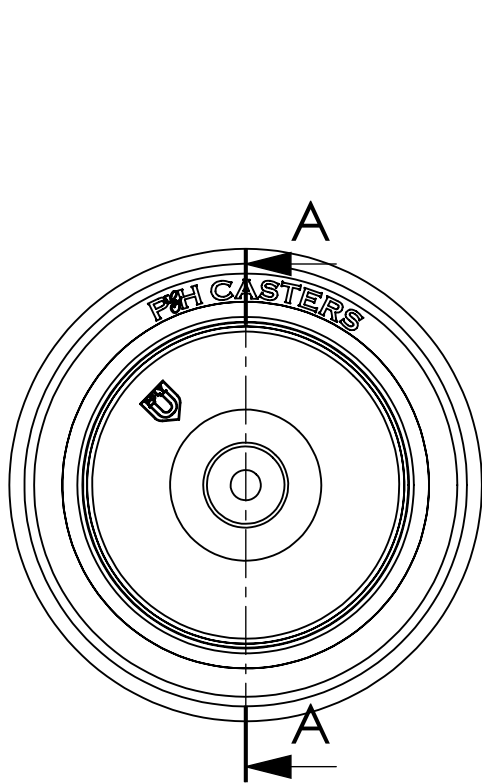


REV NO.	Revision Note	Signature	Date	Checked	Date



SECTION A-A

Dimensions in mm [ inch ]

Tolerance unless otherwise specified	
Over- up to (mm)	Tolerance (mm)
0-10	±0.1
10-30	±0.2
30-120	±0.3
120-400	±0.5

<b>P&amp;H Casters</b>	Scale <b>1:2</b>	Volume ( mm ^ 3 )	Drawn By: Hua	Date 2019/5/27
Description WHEEL			Reviewed Andy	
Part Number W620DFG0IH REV A	Revision	Sheet <b>01</b>	Date 2019/5/27	