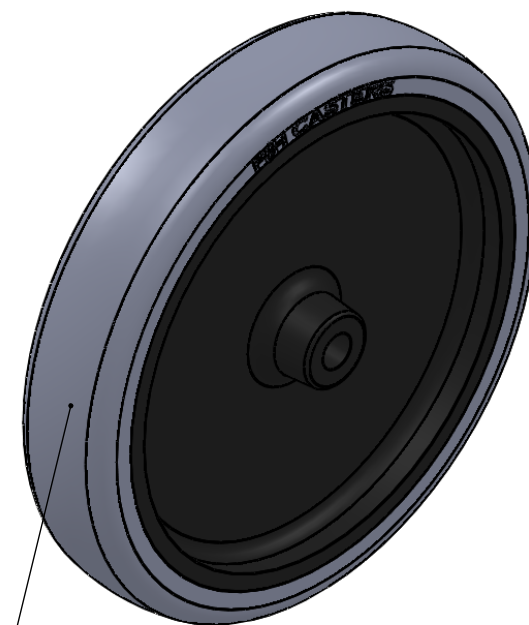
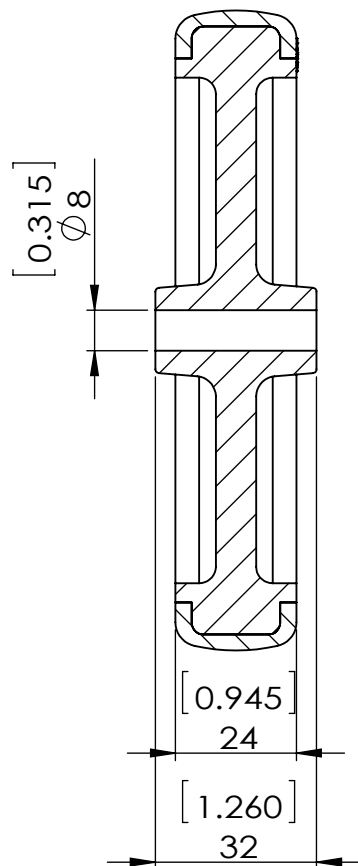
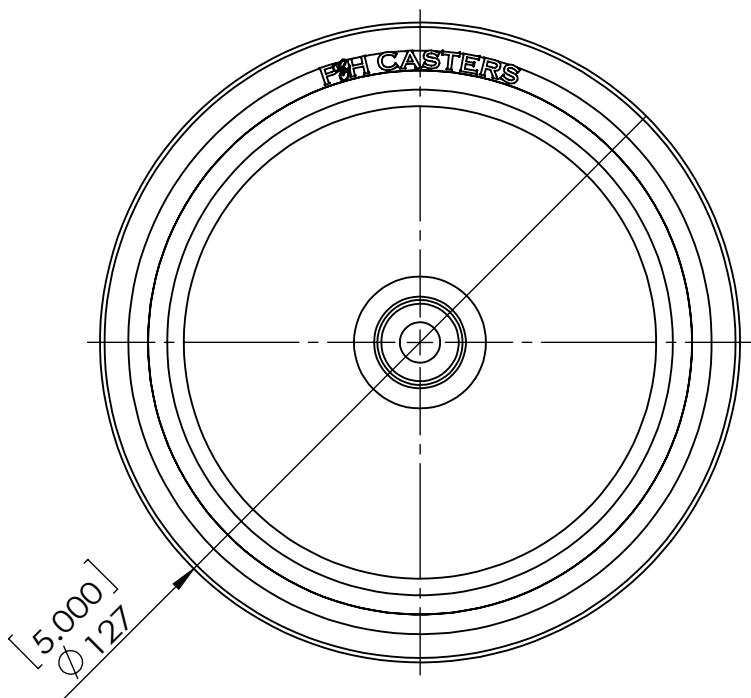


REV NO.	Revision Note	Signature	Date	Checked	Date



Durometer: Shore A 70 (+/-5)

Dimensions in mm [ inch ]

<b>P&amp;H Casters</b>		Scale	<b>1:1.5</b>	Volume ( mm <sup>3</sup> )	Drawn By:	Date
Description		WHEEL		Hua		2019/5/29
Part Number	Revision	Sheet	<b>01</b>	Date	Andy	 FIRST ANGLE PROJECTION
WN1051EC	REV B	Date	2019/5/29			