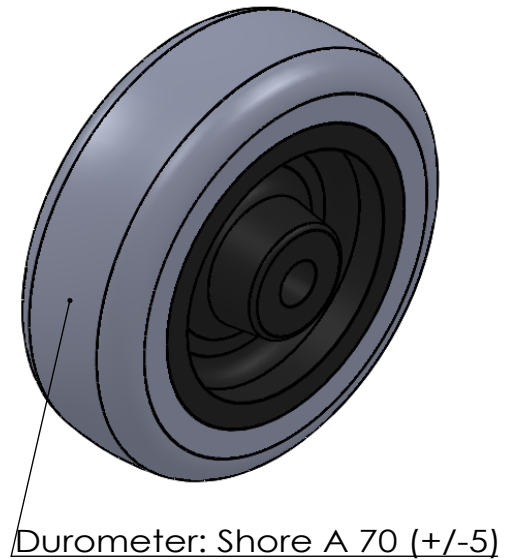
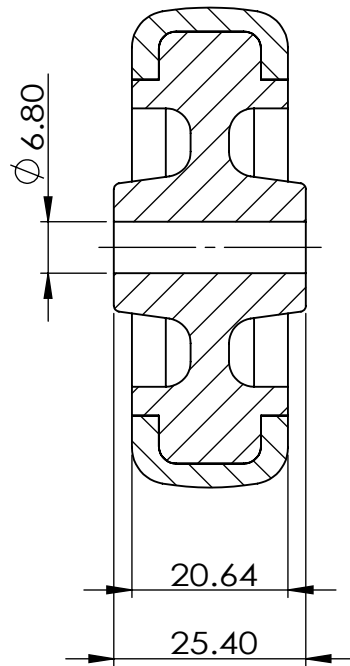
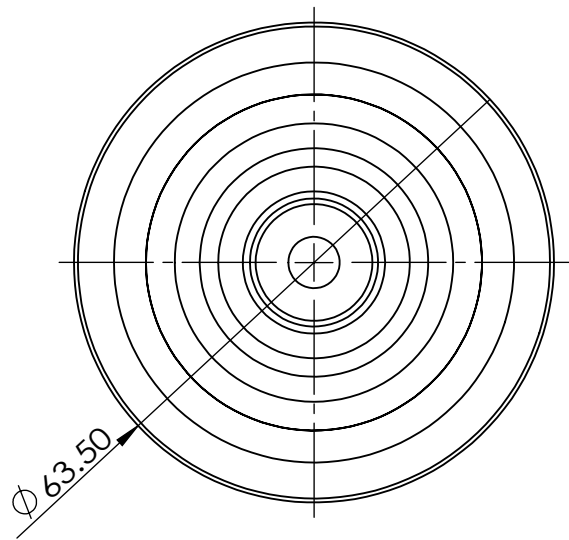


REV NO.	Revision Note	Signature	Date	Checked	Date



Dimensions in mm [inch]

P&H Casters		Scale 1:1	Volume (mm ³)	Drawn By: Hua	Date 2019/5/27
Description WHEEL				Reviewed Andy	 FIRST ANGLE PROJECTION
Part Number WN1091EA REV A	Revision	Sheet 01	Date 2019/5/27		