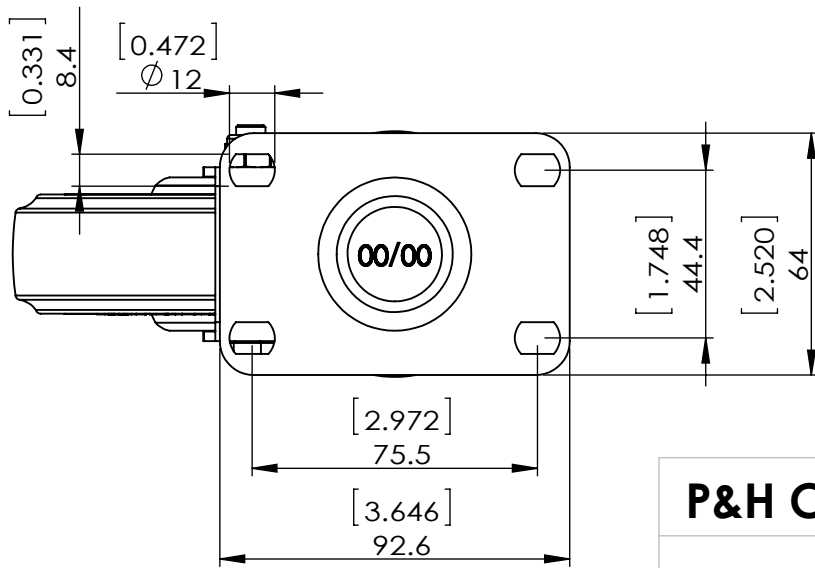
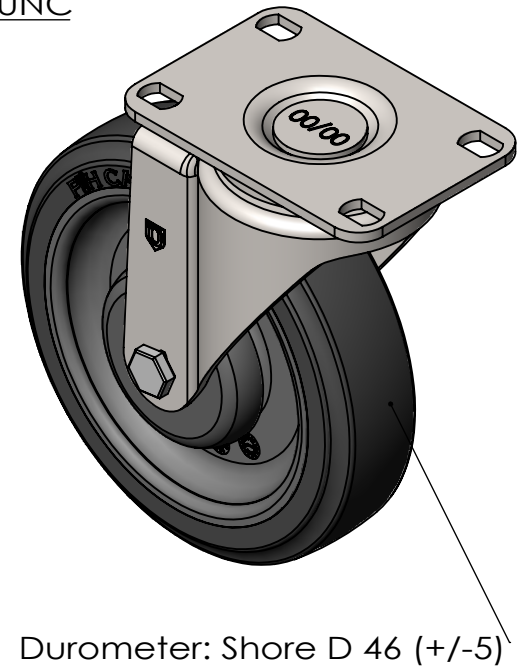
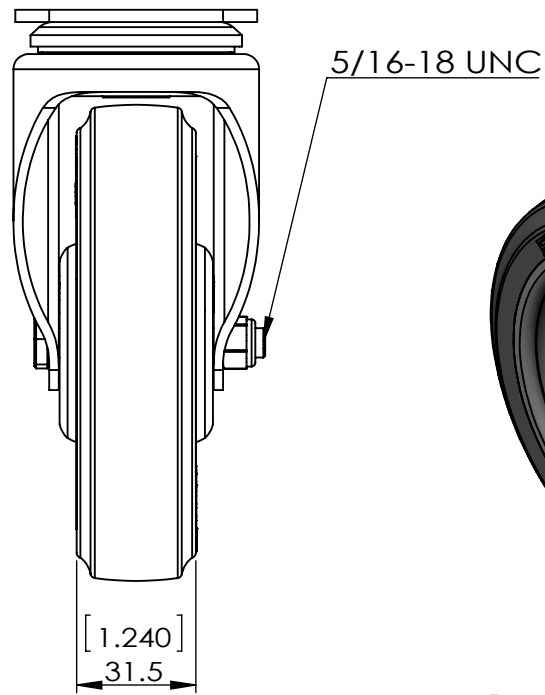
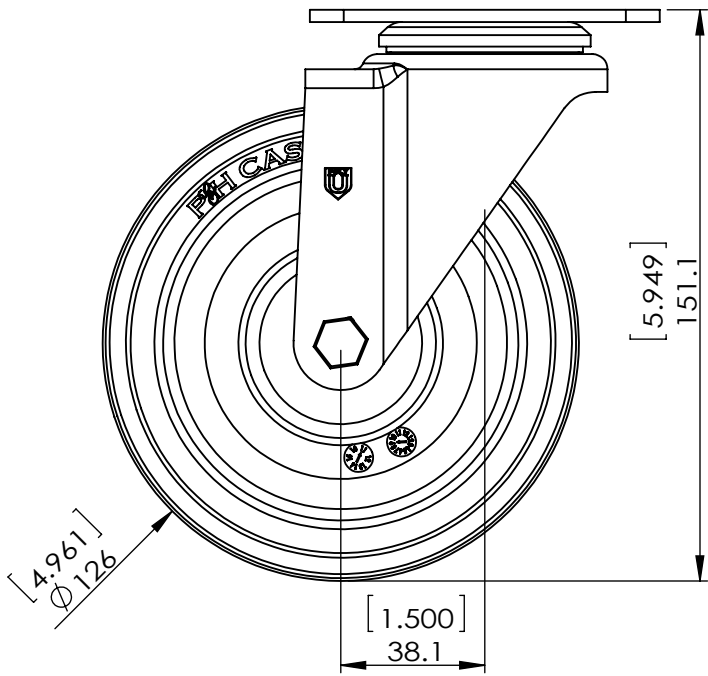


REV NO.	Revision Note	Signature	Date	Checked	Date



Dimensions in mm [ inch ]

<b>P&amp;H Casters</b>		Scale	<b>1:5</b>	Volume ( mm <sup>3</sup> )	Drawn By:	Date
Description		CASTERS		Reviewed	Hua	2019/4/25
Part Number	Revision	Sheet	<b>01</b>	Date	Andy	2019/4/25
Z20P154CGGE REV A						 FIRST ANGLE PROJECTION