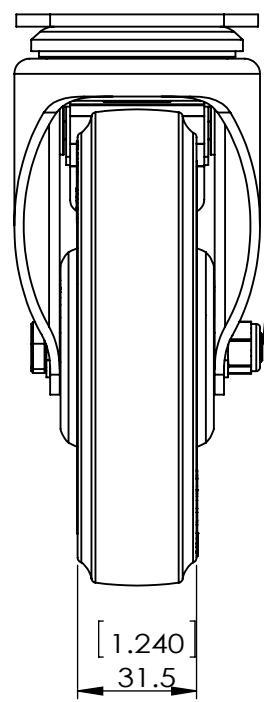
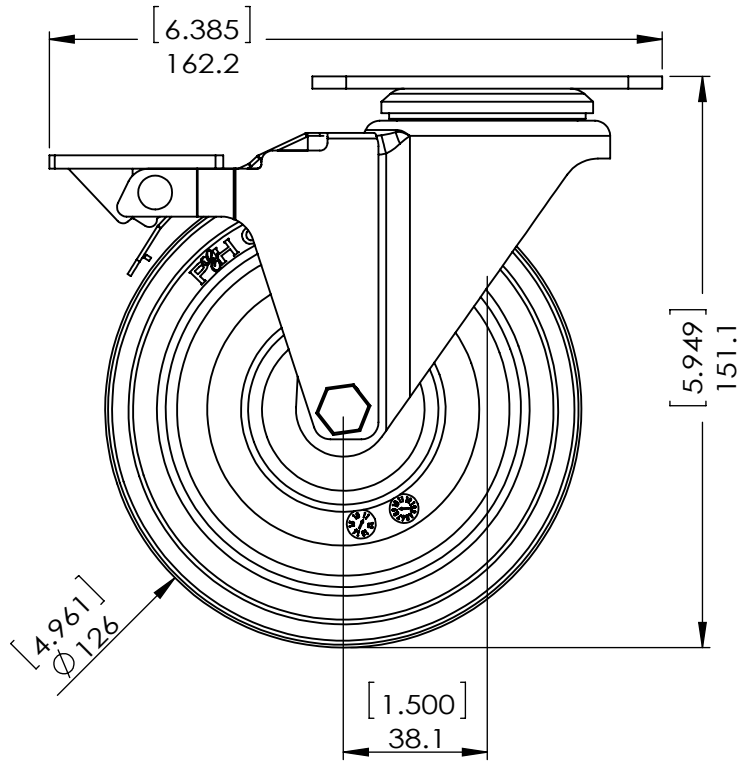
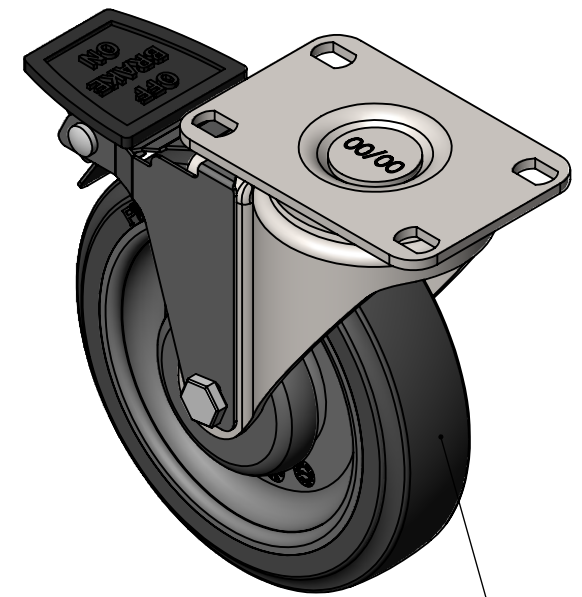


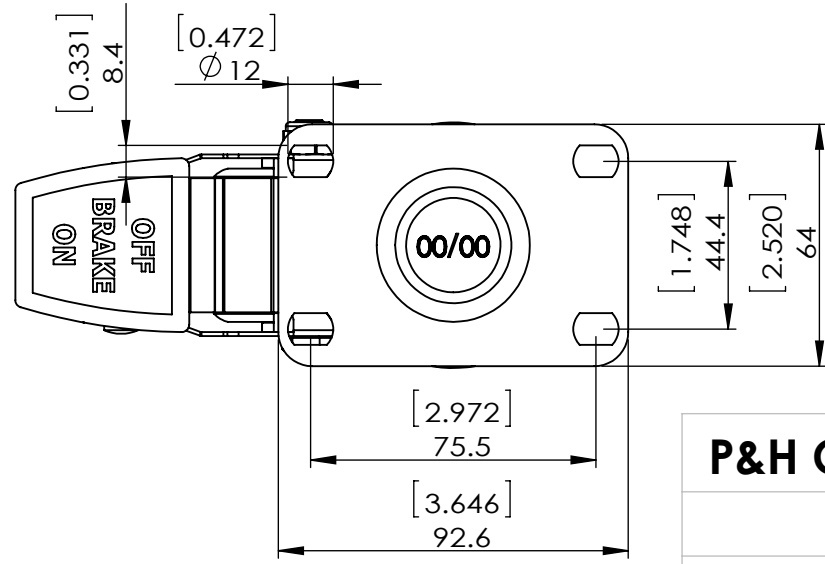
REV NO.	Revision Note	Signature	Date	Checked	Date



5/16-18 UNC



Durometer: Shore D 46 (+/-5)



Dimensions in mm [inch]

P&H Casters		Scale	1:5	Volume (mm ^ 3)	Drawn By:	Date
Description		CASTERS		Reviewed	Hua	2019/4/25
Part Number	Revision	Sheet	01	Date	Andy	2019/4/25
Z20P154CGGET REV A						 FIRST ANGLE PROJECTION