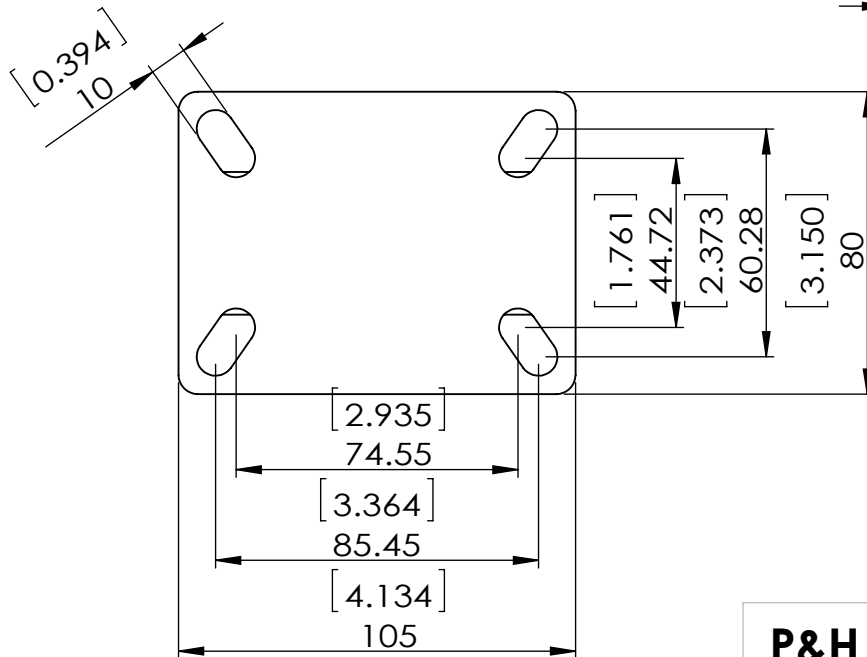


Durometer: Shore D 90 (+/-5)



Dimensions in mm [inch]

| | | | | | |
|----------------------------------|----------|---------------------|--------------------|------------------|----------------------------|
| P&H Casters | | Scale 1:2 | Volume (mm ^ 3) | Drawn By: Hua | Date 2019/10/11 |
| Description CASTER | | | | Reviewed Andy | FIRST ANGLE PROJECTION |
| Part Number Z22P2431NGD REV A | Revision | Sheet 01 | Date 2019/10/11 | | |