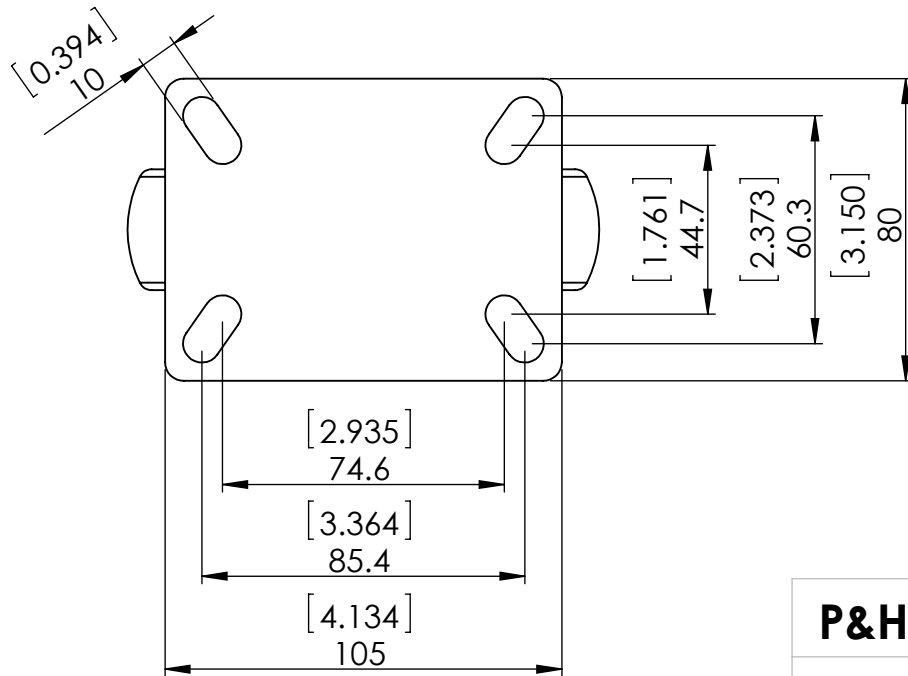


Durometer: Shore A 80 (+/-5)



Dimensions in mm [inch]

P&H Casters	Scale 1:2	Volume (mm ³)	Drawn By: Hua	Date 2019/10/8
Description CASTER			P&H Approval	
Part Number Z22P254IGDEFR REV A	Revision	Sheet 01	Date	 FIRST ANGLE PROJECTION