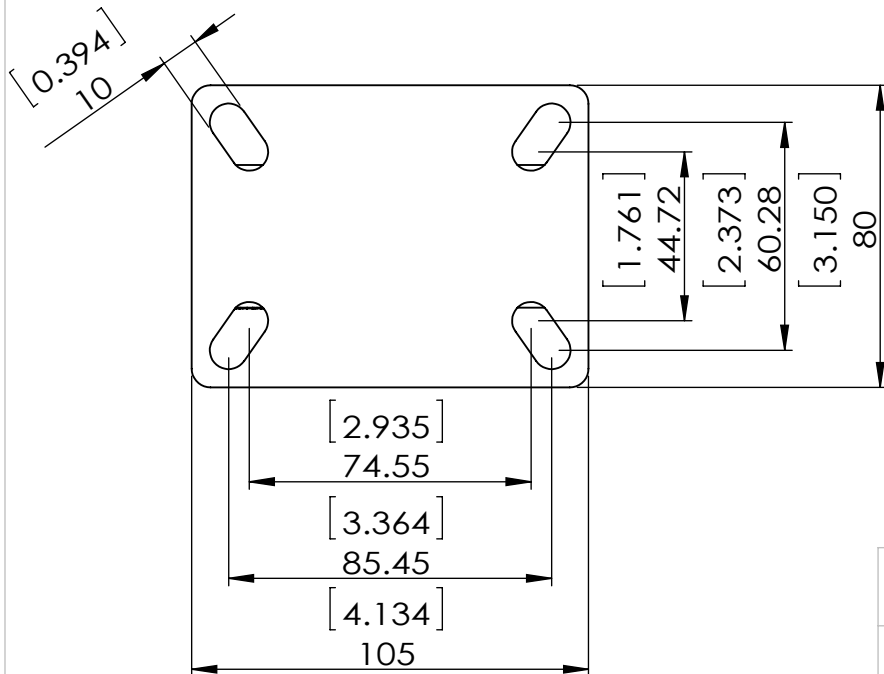


Durometer: Shore D 90 (+/-5)



Dimensions in mm [inch]

P&H Casters		Scale 1:2	Volume (mm ^ 3)	Drawn By: Hua	Date 2019/10/11
Description CASTER				Reviewed Andy	 FIRST ANGLE PROJECTION
Part Number Z27P244HNLHF REV A	Revision	Sheet 01	Date 2019/10/11		