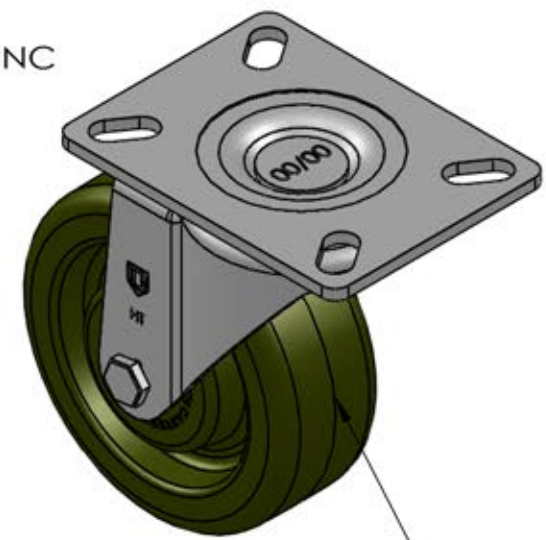
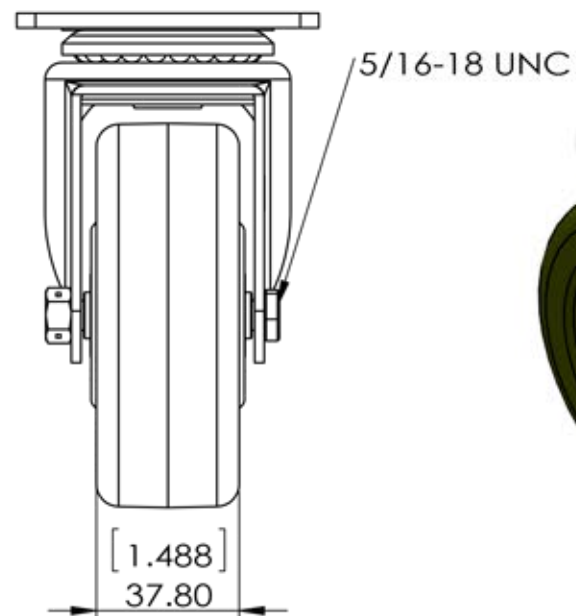
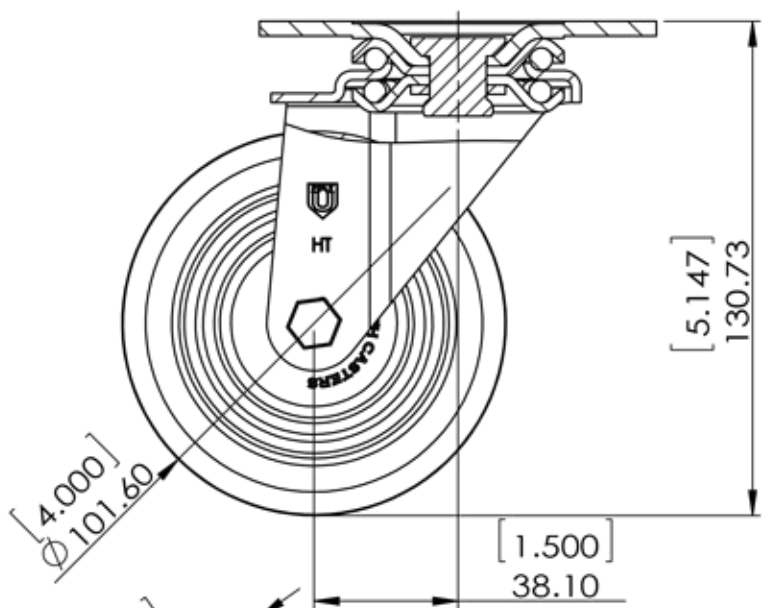
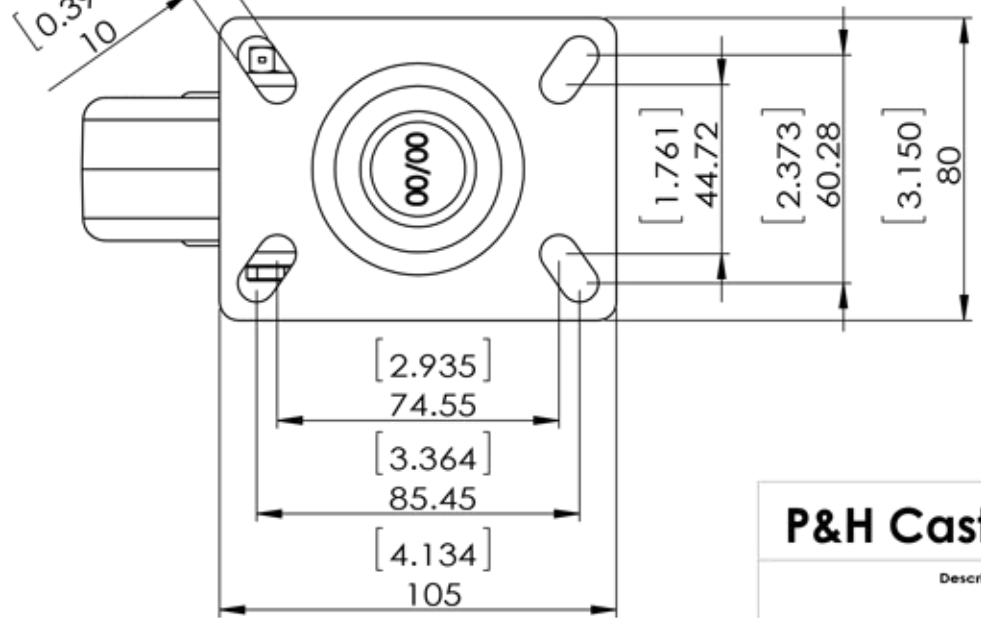


REV NO.	Revision Note	Date	Signature



Durometer: Shore D 46 (+/-5)



Dimensions in mm [ inch ]

<b>P&amp;H Casters</b>	Scale	1:2	Volume ( mm <sup>3</sup> )	Drawn By:	Hua	Date	2019/4/8
	Description	CASTER		P&H Approval			
Part Number	Revision	Sheet	01	Date			
Z20P2431NGD REV A							