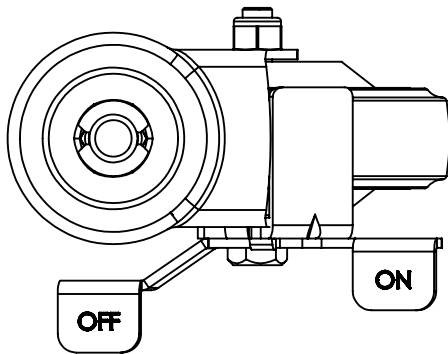


Durometer: Shore D 46 (+/-5)



Dimensions in mm [ inch ]

<b>P&amp;H Casters</b>		Scale <b>1:2</b>	Volume ( mm ^ 3 )	Drawn By: Hua	Date 2020/2/7
Description CASTER				Reviewed Andy	<p>FIRST ANGLE PROJECTION</p>
Part Number T30C144CLDTB REV A	Revision	Sheet <b>01</b>	Date 2020/2/7		