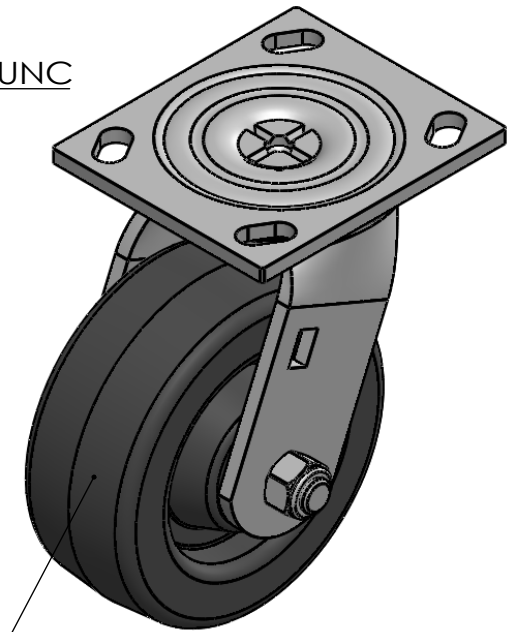
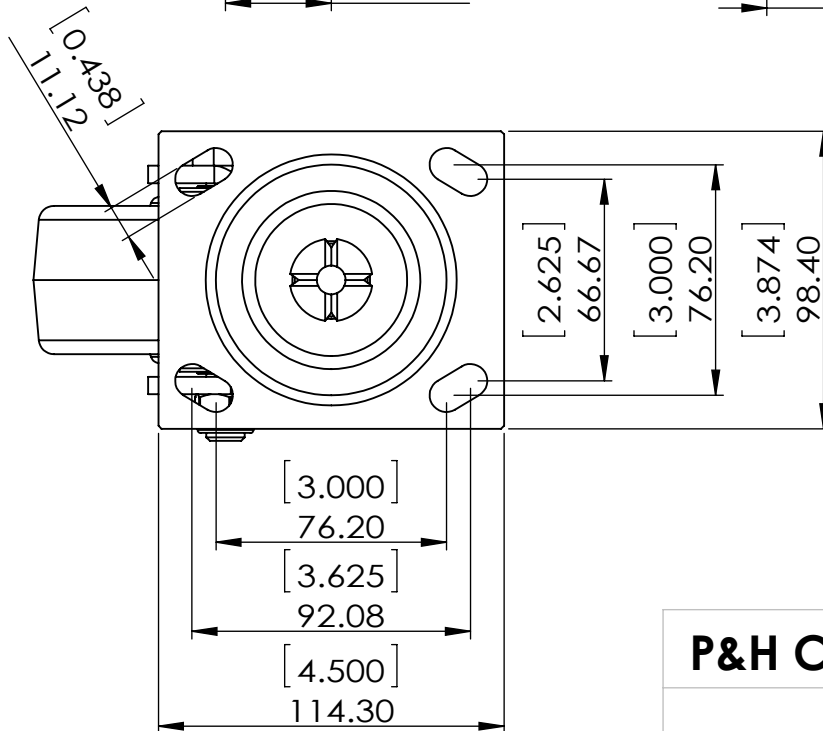


1/2-13 UNC



Durometer: Shore D 85 (+/-5)



Dimensions in mm [inch]

P&H Casters		Scale	1:2.5	Volume (mm ^ 3)	Drawn By:	Date
Description		CASTER			Hua	2019/9/24
Part Number	Revision	Sheet	01	Date	Andy	2019/9/24
Z40P352LBZK REV A						

