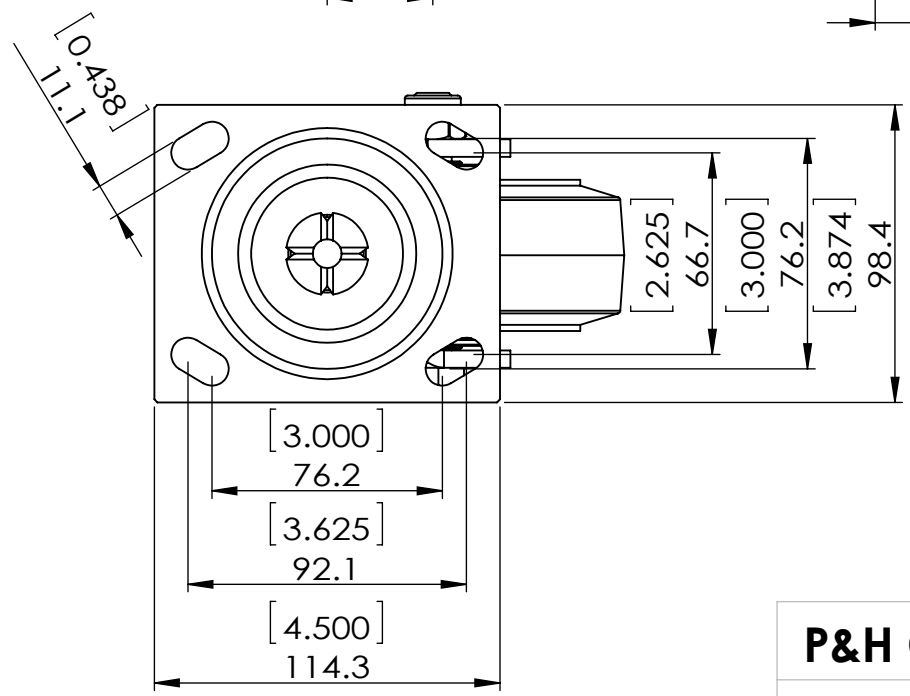


Durometer: Shore A 85~90



Dimensions in mm [ inch ]

<b>P&amp;H Casters</b>		Scale <b>1:2.5</b>	Volume ( mm <sup>3</sup> )	Drawn By: Hua	Date 2020/6/5
Description CASTER				Reviewed Andy	 FIRST ANGLE PROJECTION
Part Number Z40P352MBNK	Revision REV A	Sheet <b>01</b>	Date 2020/6/5		