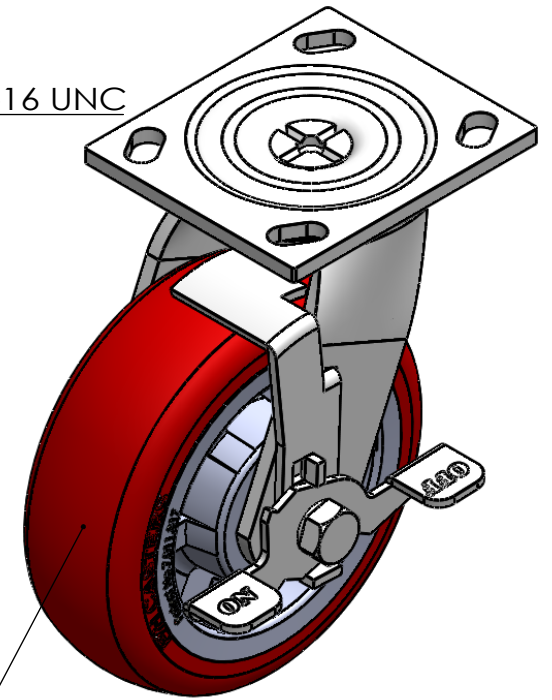
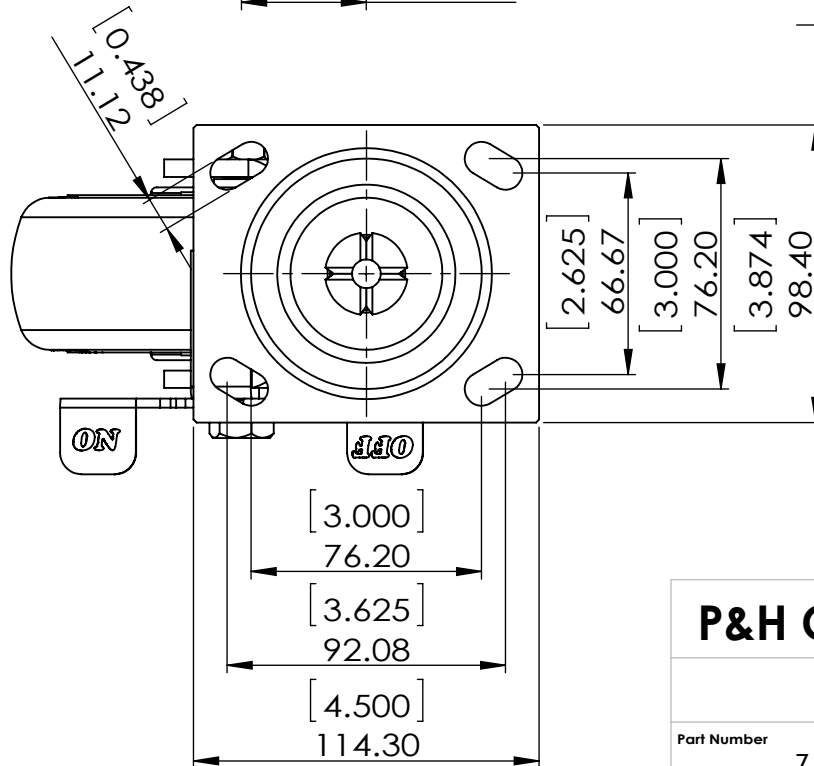


3/8-16 UNC



Durometer: Shore D 46 (+/-5)



Dimensions in mm [inch]

P&H Casters		Scale	1:2.5	Volume (mm ³)	Drawn By:	Date
Description				Hua		2019/10/15
Part Number	Revision	Sheet	01	Date	Andy	
Z40P362COPLB REV A				2019/10/15		