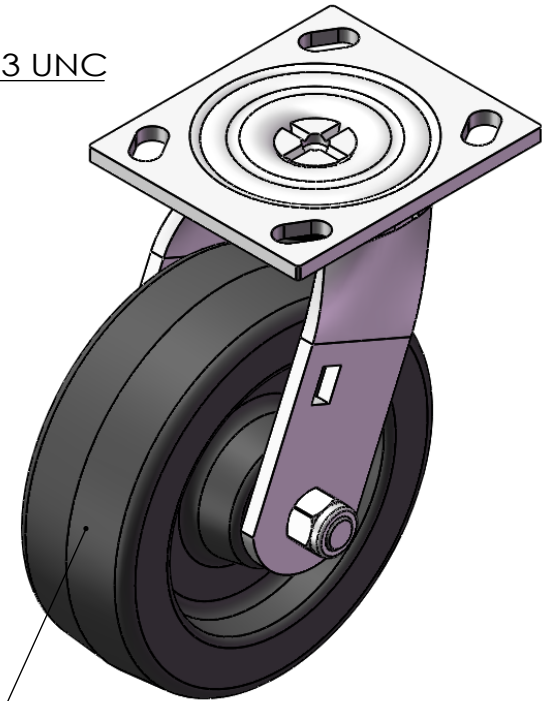
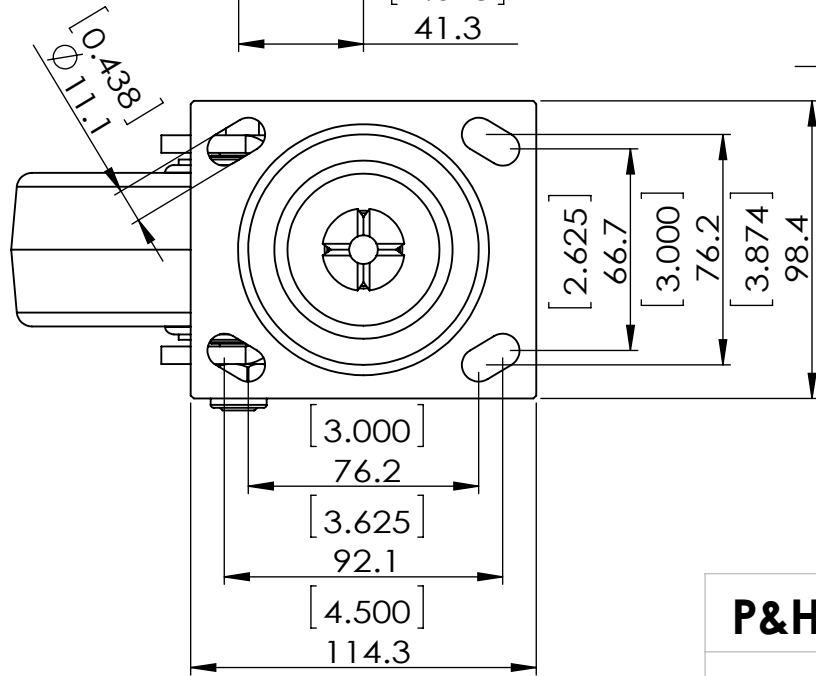


1/2-13 UNC



Durometer: Shore D 90 (+/-5)



Dimensions in mm [inch]

P&H Casters		Scale	1:2.5	Volume (mm [^] 3)	Drawn By:	Date
Description		CASTER			Hua	2020/5/14
Part Number	Revision	Sheet	01	Date	Andy	2020/5/14
Z40P362LBNK REV A						 FIRST ANGLE PROJECTION