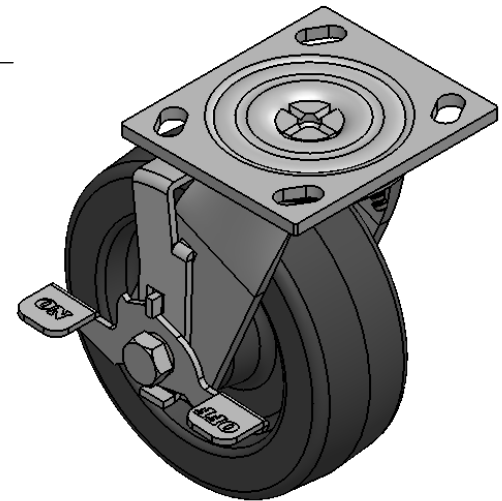
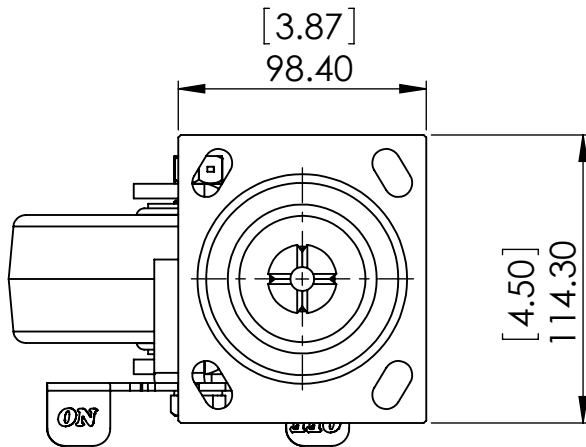
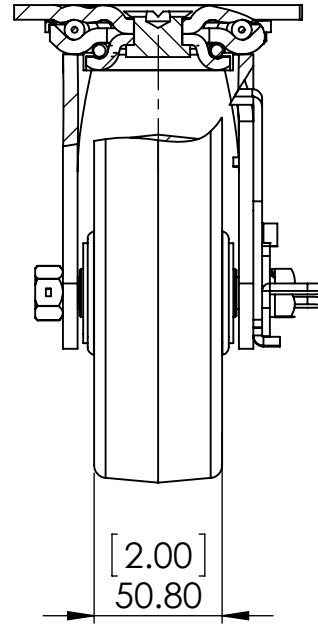
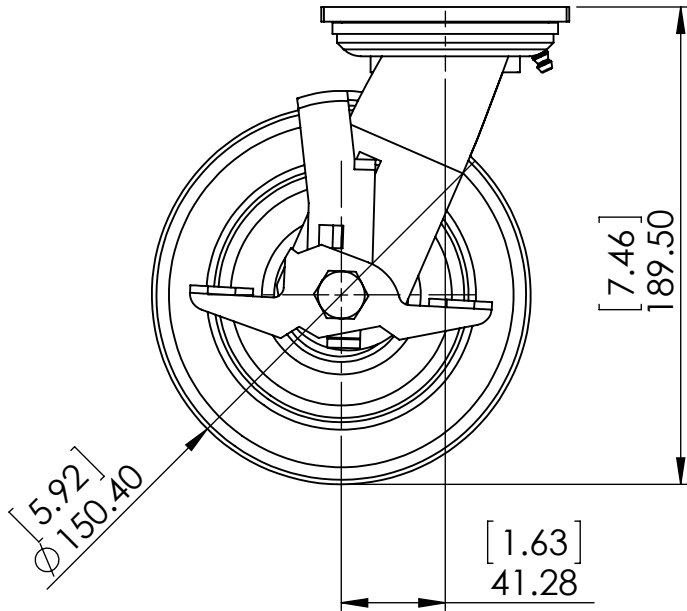


REV NO.	Revision Note	Date	Signature



P&H Casters		Scale	1:1	Volume (mm ³)	Drawn By:	Date
Description		CASTER		P&H Approval		01/26/2015
Part Number	Revision	Sheet	Date	FIRST ANGLE PROJECTION		
Z40P362LBZKB	REV A	01				

THE INFORMATION CONTAINED IN THIS DRAWING IS CONFIDENTIAL AND SOLE PROPERTY OF P&H CASTERS CO. ANY REPRODUCTION IN PART OR AS A WHOLE WITHOUT THE WRITTEN PERMISSION OF P&H CASTERS IS PROHIBITED.