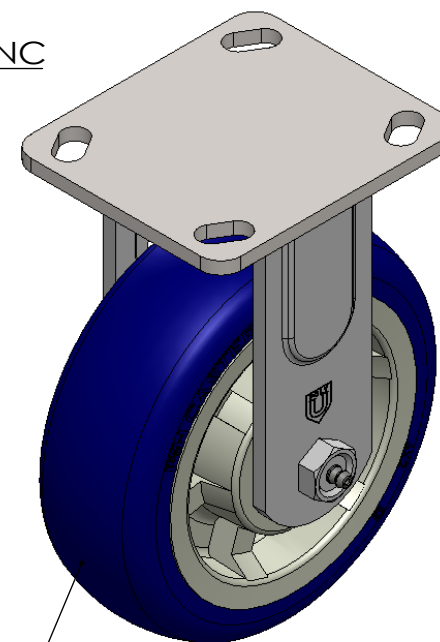
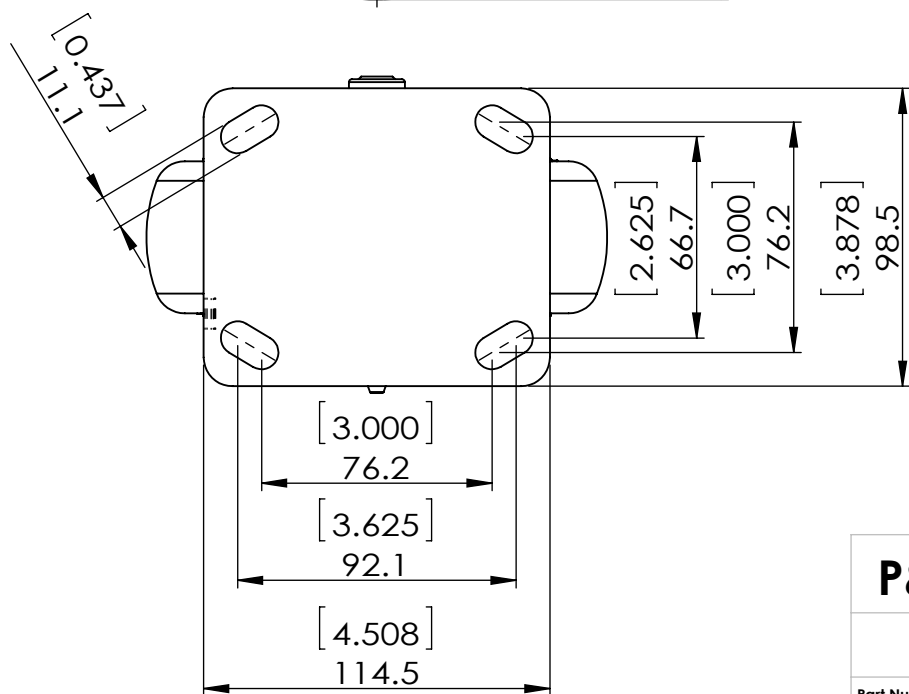


1/2-13 UNC



Durometer: Shore D 46 (+/-5)



Dimensions in mm [ in ]

|                                  |          |                       |                            |                      |  |
|----------------------------------|----------|-----------------------|----------------------------|----------------------|--|
| <b>P&amp;H Casters</b>           |          | Scale<br><b>1:2.5</b> | Volume ( mm <sup>3</sup> ) | Drawn By:<br>Ronny   | Date<br>2020/01/15   |
| Description<br>CASTER            |          |                       |                            | Reviewed By:<br>Andy | <br><small>FIRST ANGLE PROJECTION</small> |
| Part Number<br>Z42P362CLPZ REV A | Revision | Sheet<br><b>01</b>    | Date<br>2020/01/15         |                      |  |