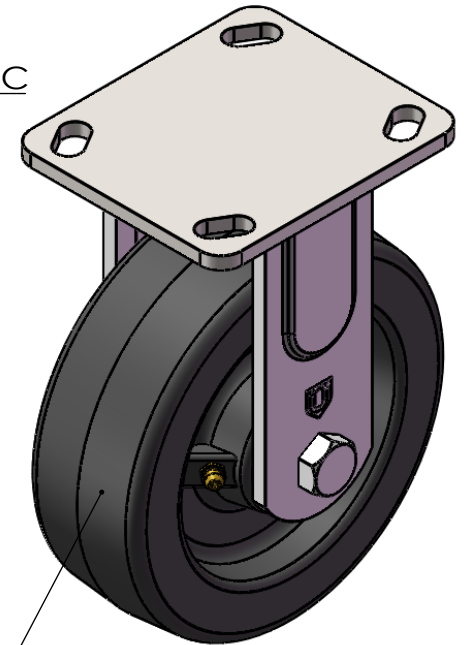
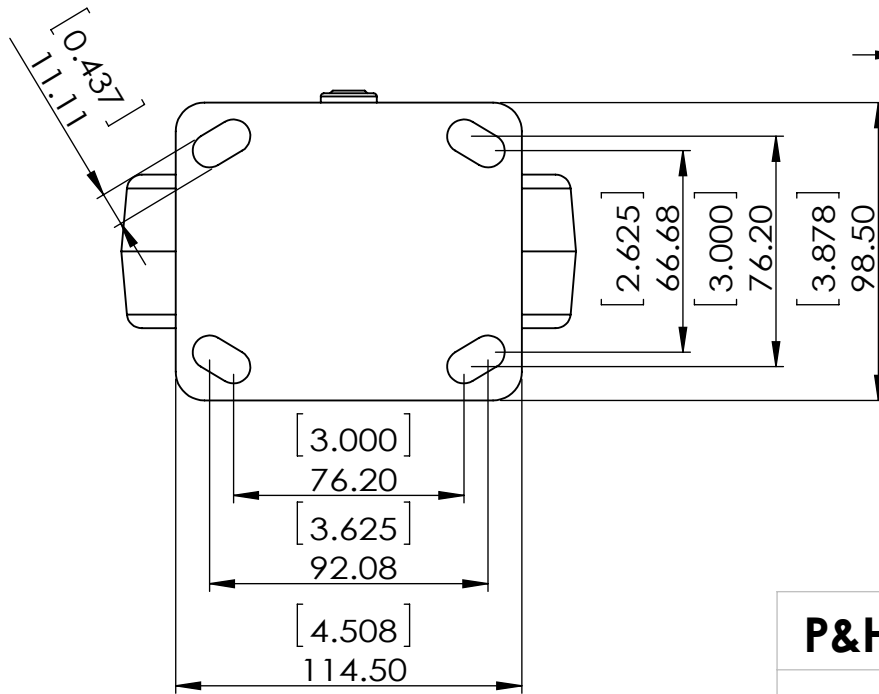


1/2-13 UNC



Durometer: Shore D 90 (+/-5)



Dimensions in mm [ inch ]

<b>P&amp;H Casters</b>		Scale	<b>1:2.5</b>	Volume ( mm <sup>3</sup> )	Drawn By:	Date
Description		CASTER			Hua	2019/11/1
Part Number	Revision	Sheet	<b>01</b>	Date	Andy	
Z42P362LBZL	REV A			2019/11/1		