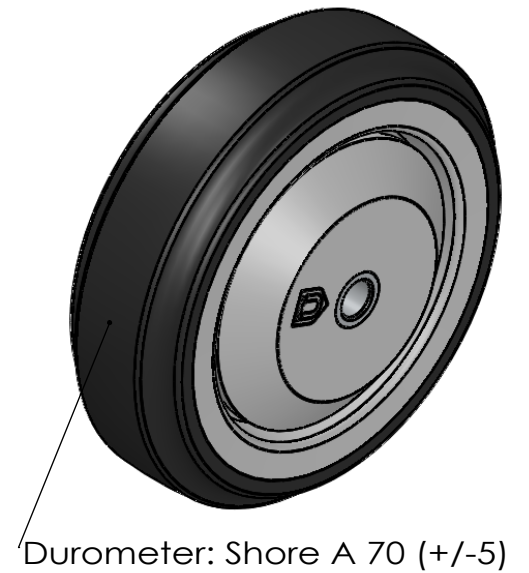


A-A



Dimensions in mm [inch]

P&H Casters		Scale	1:1.5	Volume (mm ³)	Drawn By:	Date
Description		WHEEL		Reviewed		 FIRST ANGLE PROJECTION
Part Number	Revision	Sheet	01	Date	Andy	
WN2044CDI REV A				2019/10/12	2019/10/12	