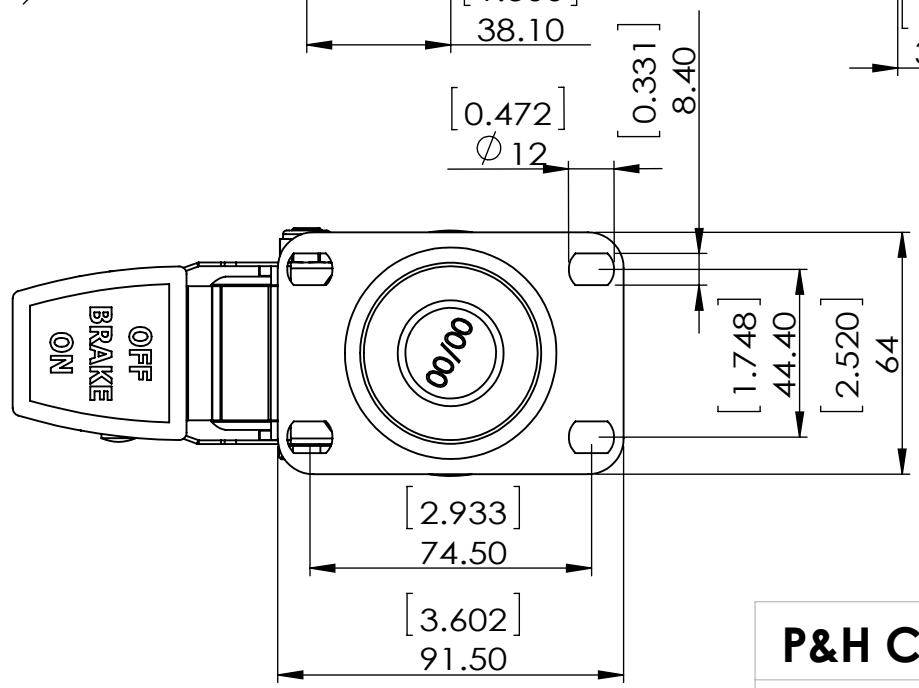


Durometer: Shore D 46 (+/-5)



Dimensions in mm [inch]

P&H Casters		Scale	1:2	Volume (mm ^ 3)	Drawn By:	Date
Description		CASTER		Reviewed	Hua	2019/8/2
Part Number	Revision	Sheet	01	Date	Andy	
Z26P154CLGET	REV A			2019/8/2		