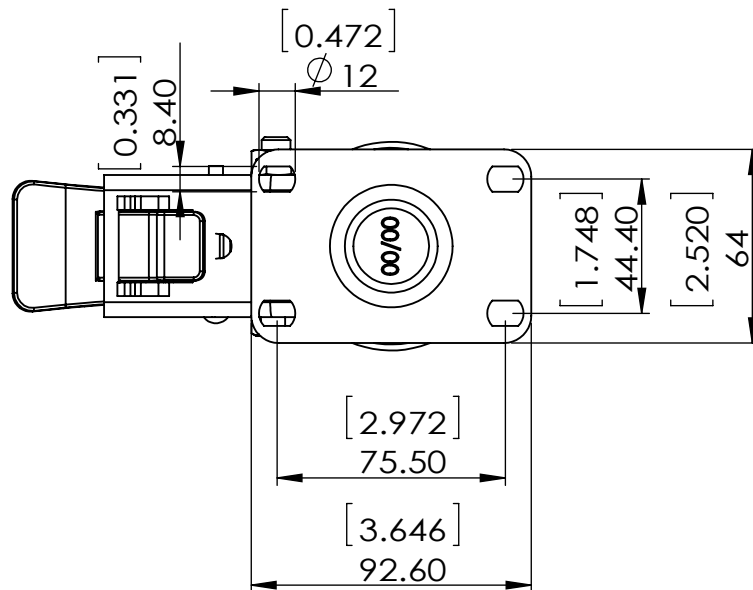


Durometer: Shore D 46 (+/-5)



Dimensions in mm [ inch ]

|                                   |          |                       |                   |                  |                            |
|-----------------------------------|----------|-----------------------|-------------------|------------------|----------------------------|
| <b>P&amp;H Casters</b>            |          | Scale<br><b>1:2.5</b> | Volume ( mm ^ 3 ) | Drawn By:<br>Hua | Date<br>2019/11/1          |
| Description<br>CASTER             |          |                       |                   | Reviewed<br>Andy | <br>FIRST ANGLE PROJECTION |
| Part Number<br>Z26P164CTKIL REV A | Revision | Sheet<br><b>01</b>    | Date<br>2019/11/1 |                  |                            |