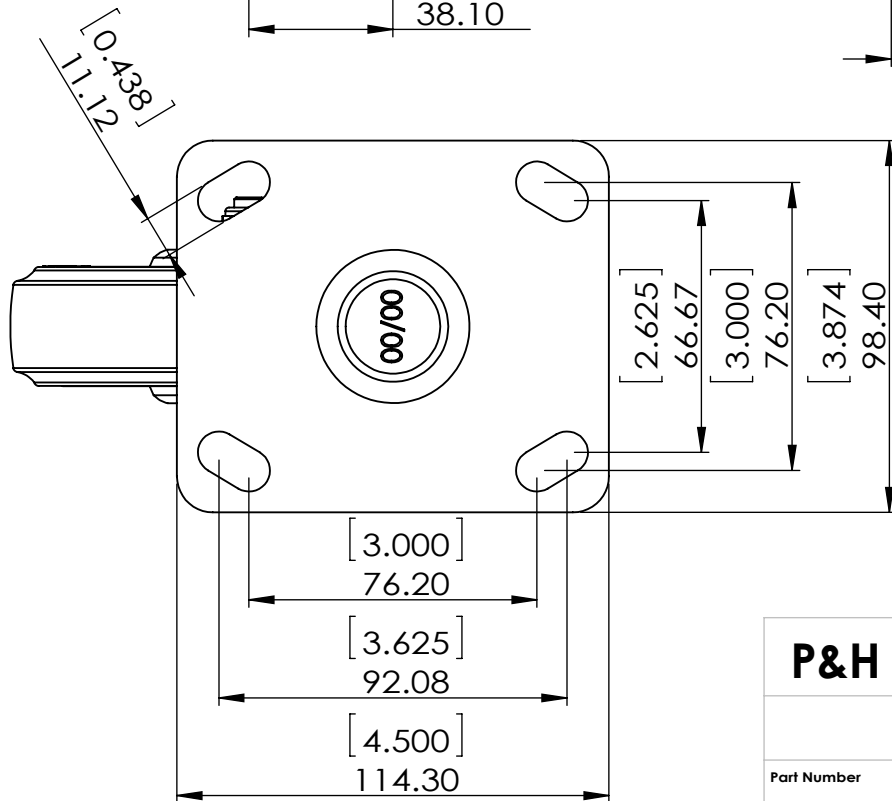


Durometer: Shore D 46 (+/-5)



Dimensions in mm [ inch ]

<b>P&amp;H Casters</b>		Scale	<b>1:2</b>	Volume ( mm <sup>3</sup> )	Drawn By:	Date
Description		CASTER			Hua	2019/7/16
Part Number	Revision	Sheet	<b>01</b>	Date	Andy	
Z20P354CGDE	REV A			2019/7/16		