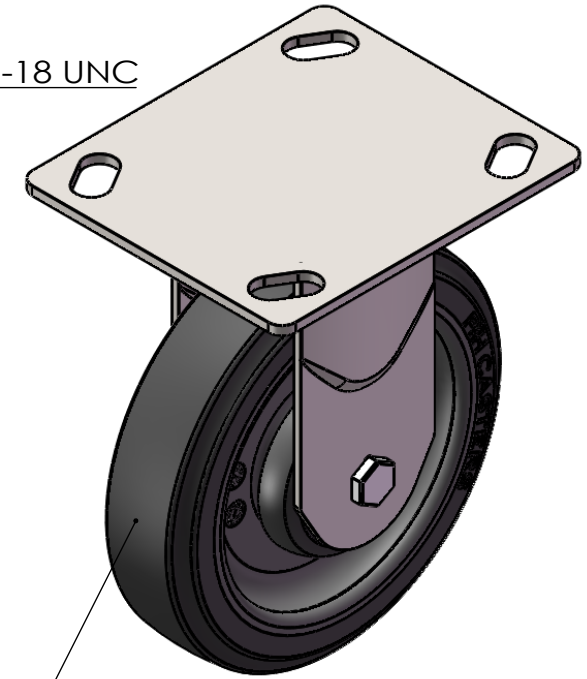
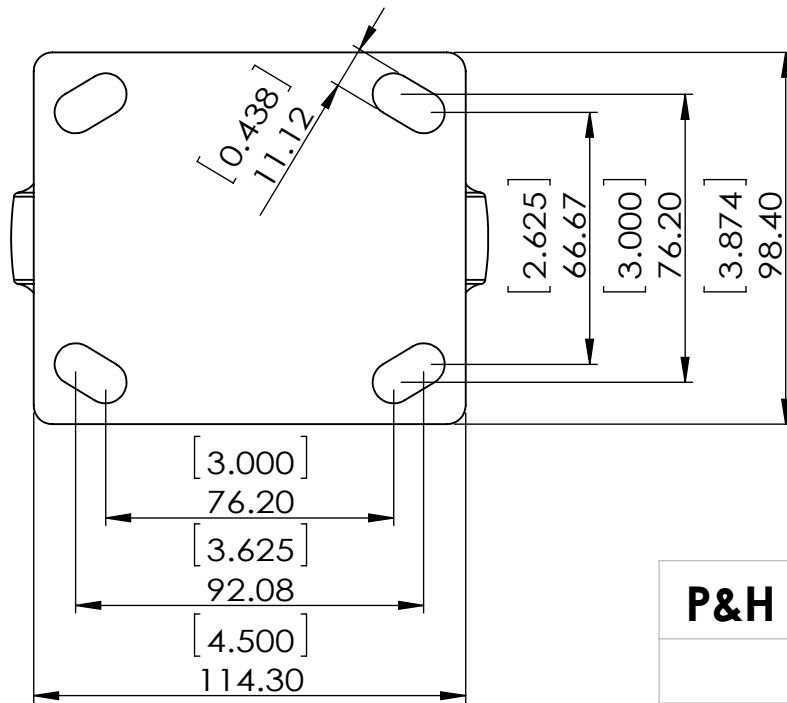


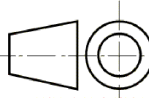
5/16-18 UNC



Durometer: Shore D 46 (+/-5)



Dimensions in mm [ inch ]

<b>P&amp;H Casters</b>		Scale	<b>1:2</b>	Volume ( mm ^ 3 )	Drawn By:	Date
Description		CASTER			Hua	2019/10/8
Part Number	Revision	Sheet	<b>01</b>	Date	Andy	 FIRST ANGLE PROJECTION
Z22P354CGGE	REV A			2019/10/8		