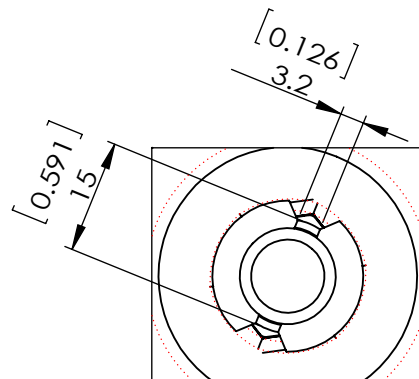
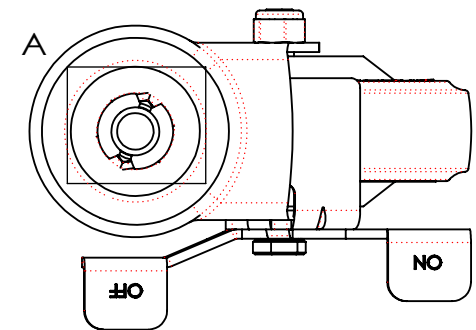


Durometer: Shore D 46 (+/-5)



DETAIL A
SCALE 1 : 1



Dimensions in mm [inch]

P&H Casters		Scale	Volume (mm ^ 3)	Drawn By:	Date
Description		CASTER		P&H Approval	
Part Number	Revision	Sheet	Date		
Z30C144CGDEB	REV A	01			

