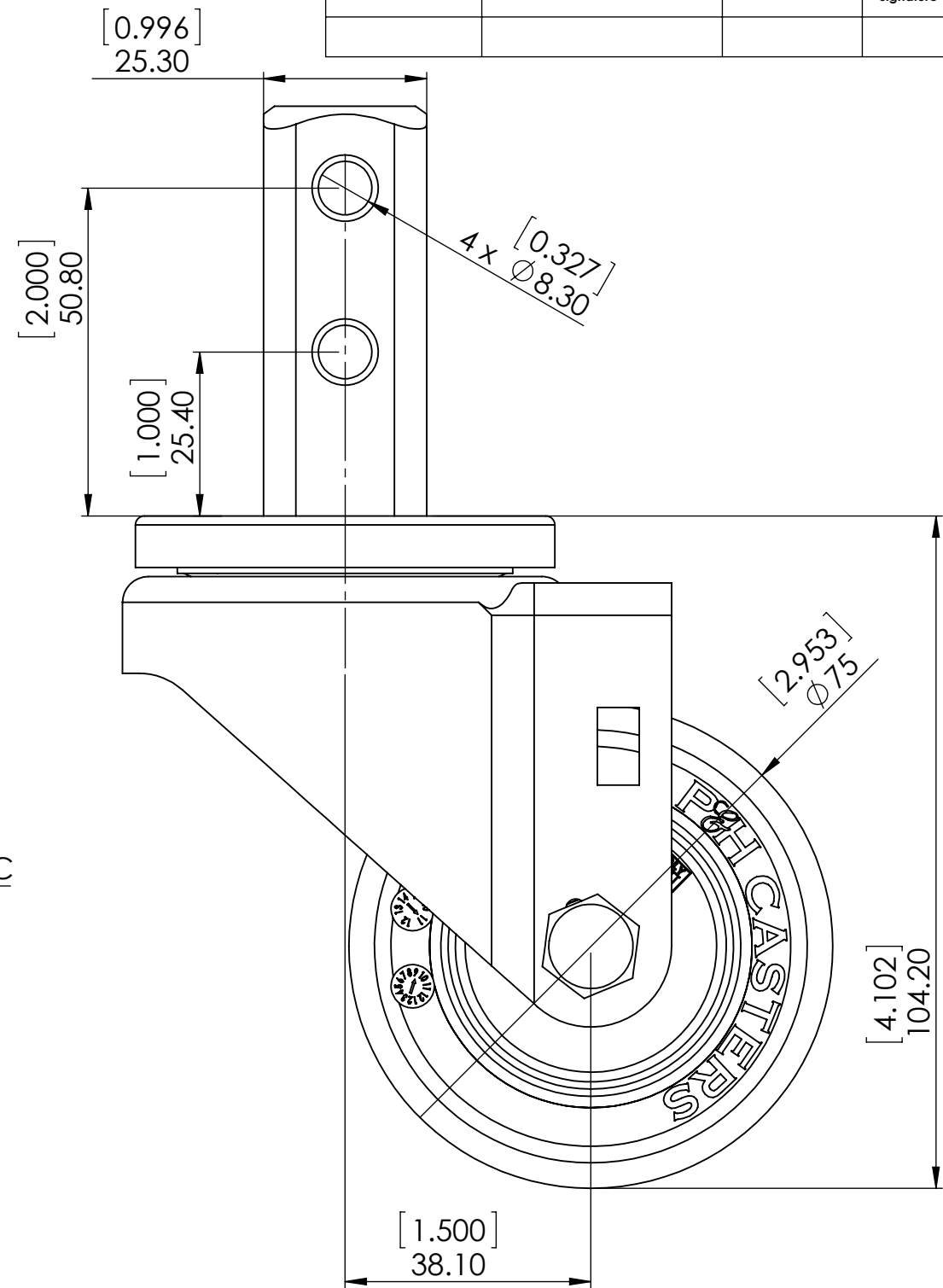
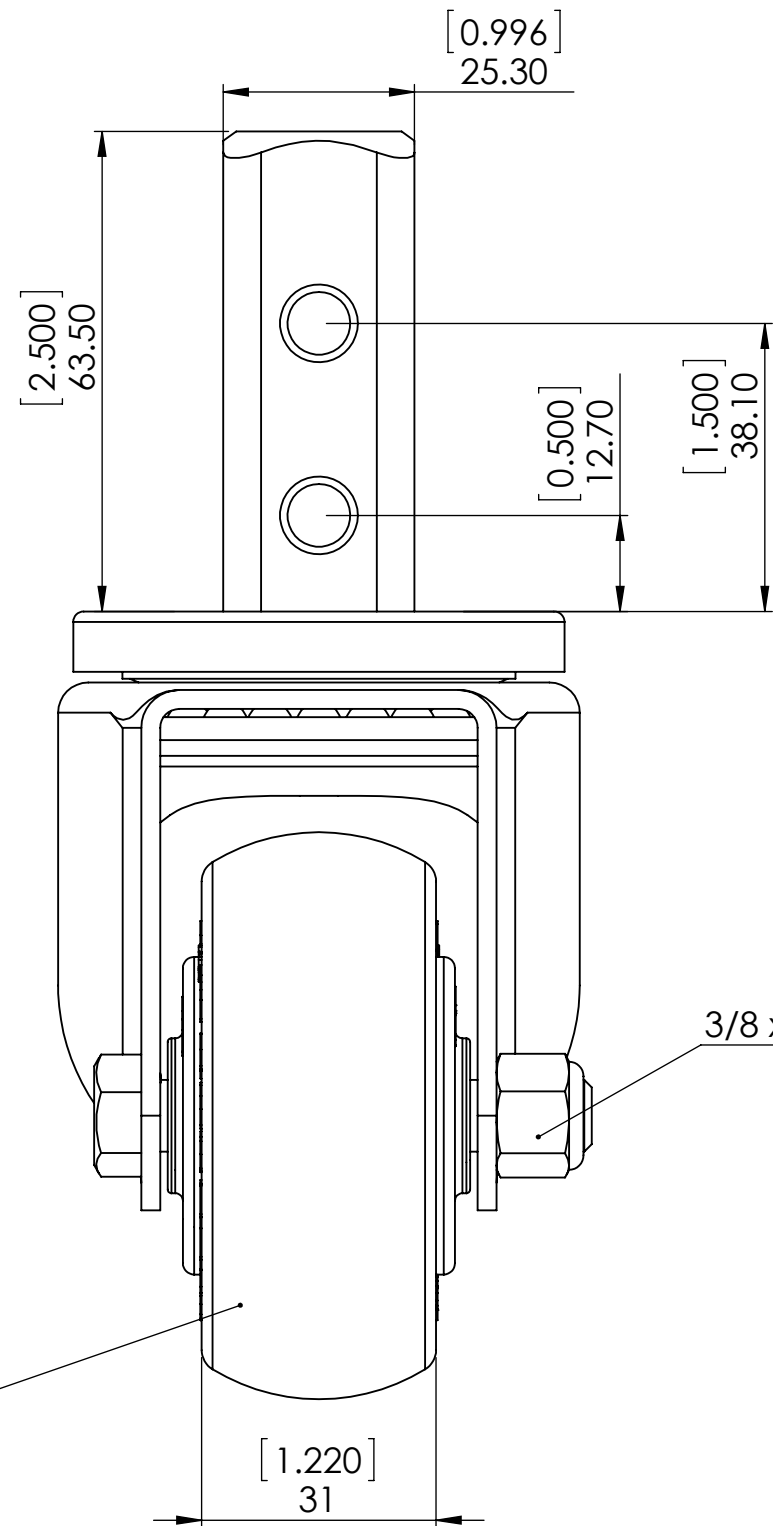
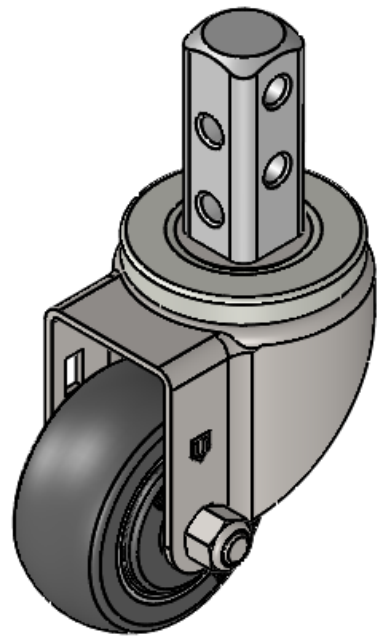


REV NO.	Revision Note	Date	Signature	Checked



3/8 x 16 UNC

Durometer: Shore A 85 (+/-5)

Dimensions in mm [inch]

P&H Casters	Scale 1:1	Volume (mm ³)	Drawn By: Jorge	Date 04/19/19
Description CASTER			P&H Approval	
Part Number Z26SXBB6G0ID	Revision REV A	Sheet 01	Date	