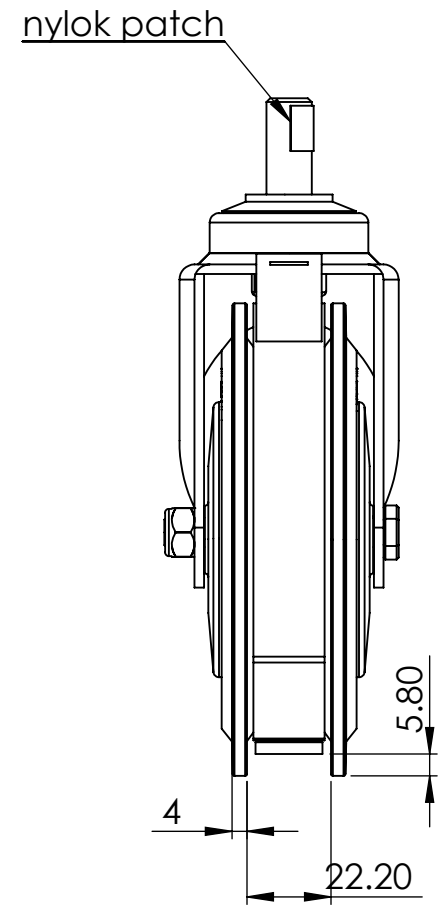
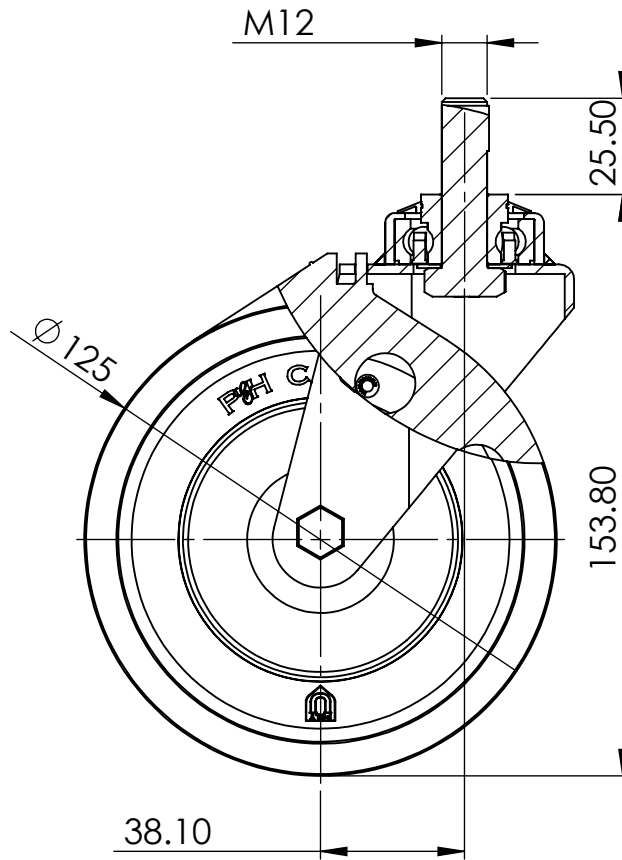
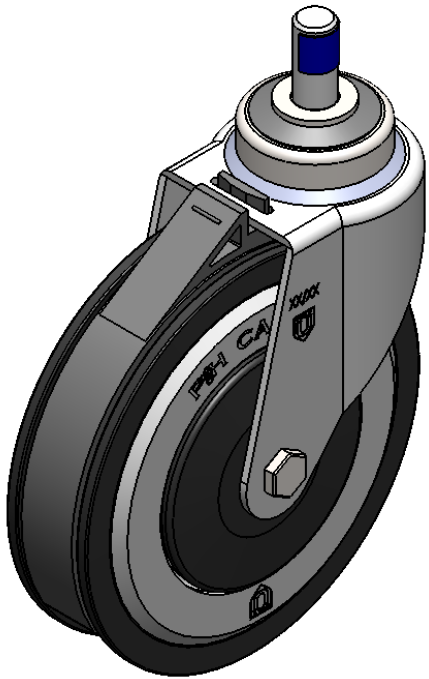


REV NO.	Revision Note	Date	Signature



<b>P&amp;H Casters</b>		Scale	1:1	Volume ( mm ^ 3 )	Drawn By:	Date
Description				CASTERS		Hua
Part Number		Revision		Sheet	Date	P&H Approval
X36A6DB5G0WEE		REV A		01		

