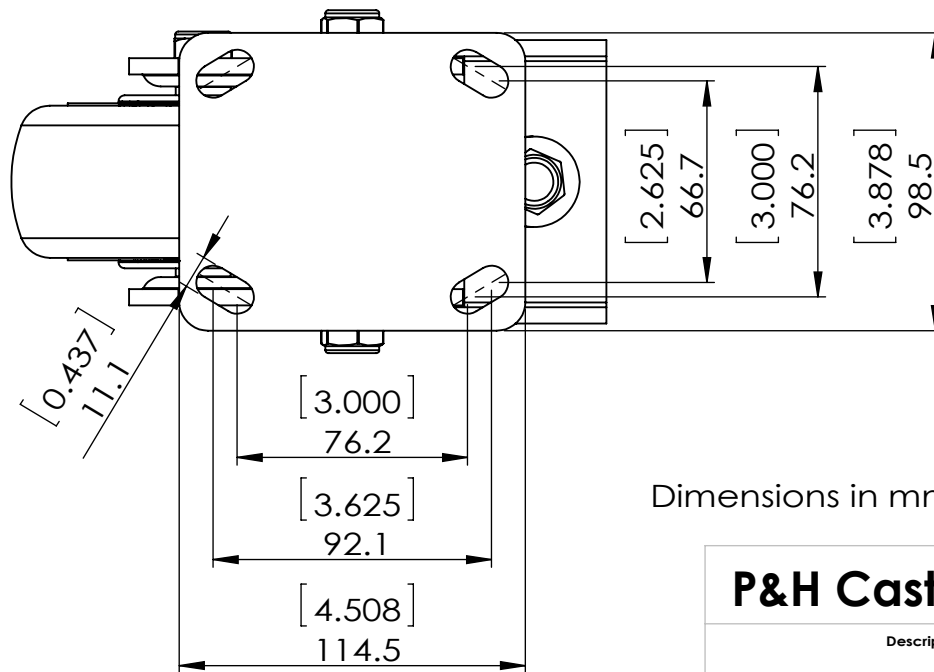
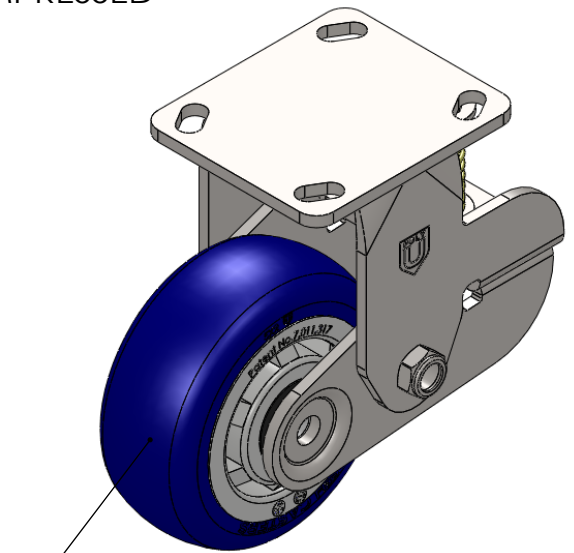


COMPRESSED



Dimensions in mm [ inch ]



Durometer: Shore D 46 (+/-5)

<b>P&amp;H Casters</b>		Scale	<b>1:2.5</b>	Volume ( mm ^ 3 )	Drawn By:	Date
Description		CASTER		P&H Approval		2019/10/15
Part Number	Revision	Sheet	<b>01</b>	Date	 <small>FIRST ANGLE PROJECTION</small>	
<b>Z42P352CLPLS4 REV A</b>						