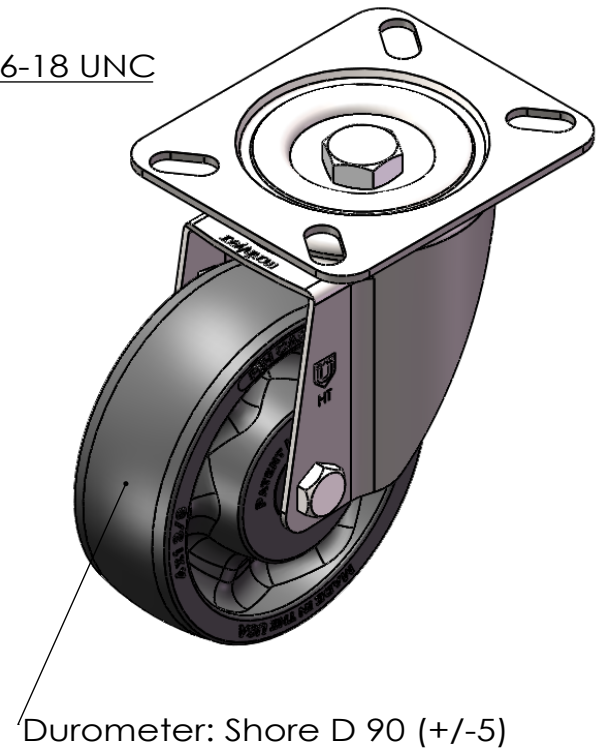
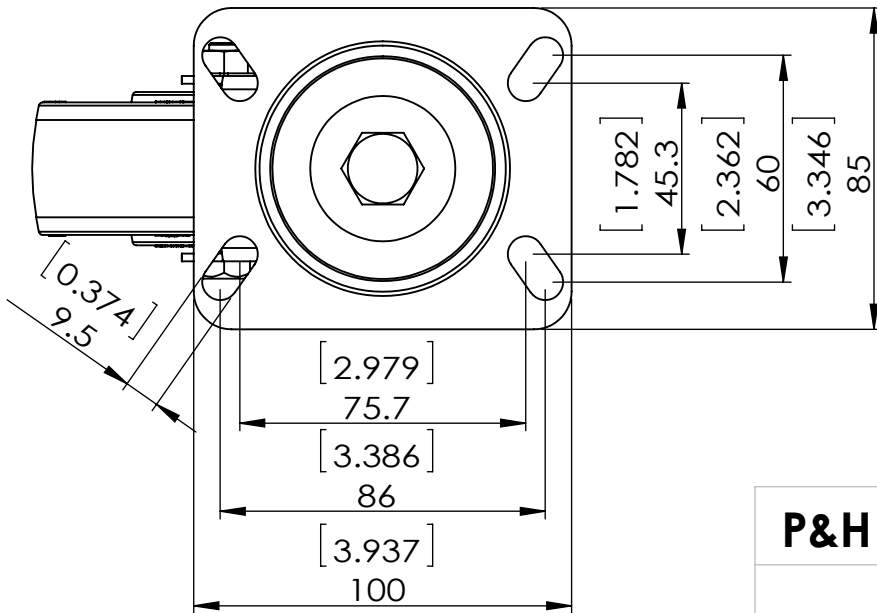


5/16-18 UNC



Durometer: Shore D 90 (+/-5)



Dimensions in mm [inch]

P&H Casters		Scale	1:2	Volume (mm ^ 3)	Drawn By:	Date
Description		CASTER			Hua	2021/3/8
Part Number	Revision	Sheet	01	Date	Andy	2021/3/8
T20P240HBGF REV A						