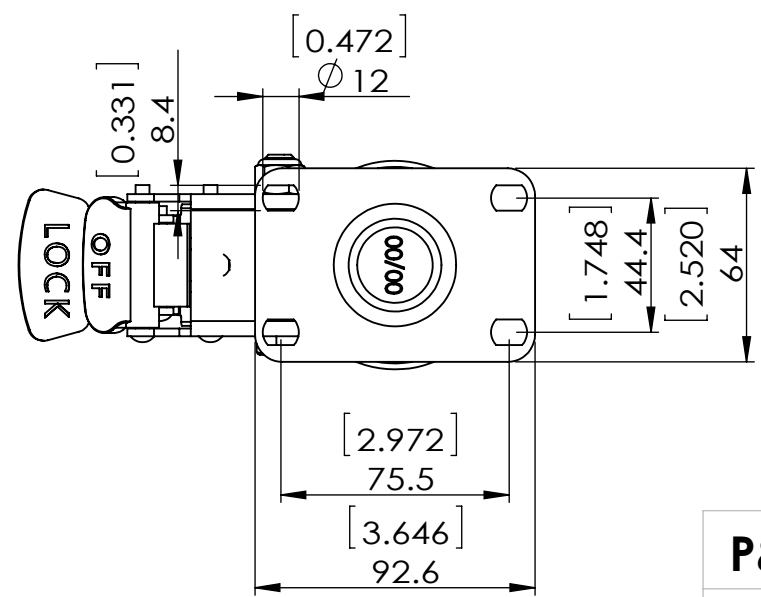


Durometer: Shore A 85 (+/-5)



Dimensions in mm [ in ]

<b>P&amp;H Casters</b>		Scale	<b>1:2.5</b>	Volume ( mm <sup>3</sup> )	Drawn By:	Date
Description		CASTER		Reviewed By:	Hua	2020/7/29
Part Number	Revision	Sheet	<b>01</b>	Date	Andy	2020/7/29
T26P1DB6G3JY8 REV A						 FIRST ANGLE PROJECTION