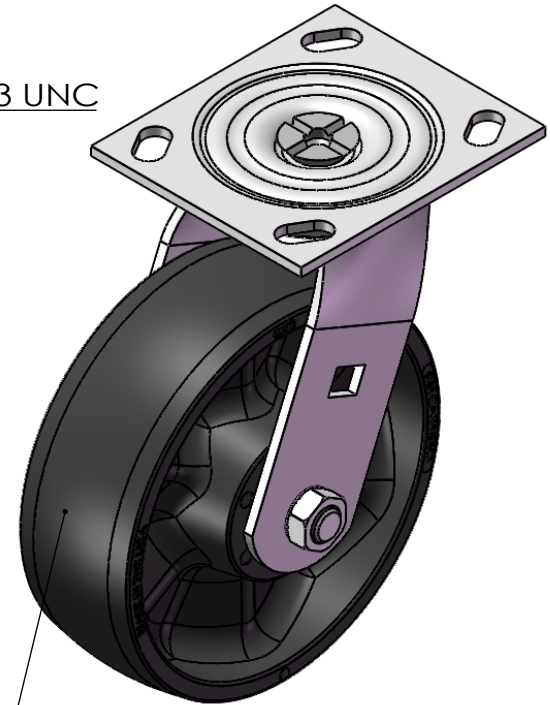
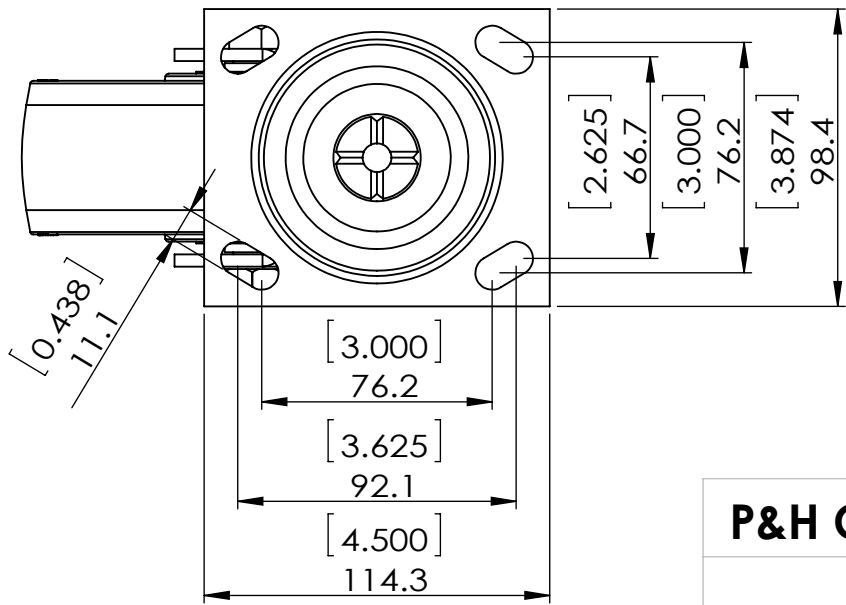


1/2-13 UNC



Durometer: Shore D 90 (+/-5)



P&H Casters		Scale	1:2.5	Volume (mm ^ 3)	Drawn By:	Date
Description		CASTER		Reviewed By:		2021/8/9
Part Number	Revision	Sheet	01	Date	Andy	
T40P362HBPMCF REV A				2021/8/9		