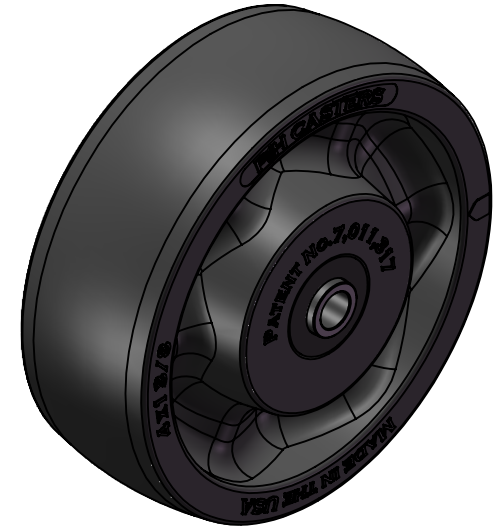


A-A



Dimensions in mm [ inch ]

<b>P&amp;H Casters</b>		Scale	<b>1:1.5</b>	Volume ( mm <sup>3</sup> )	Drawn By:	Date
Description		WHEEL		Reviewed		 FIRST ANGLE PROJECTION
Part Number	Revision	Sheet	<b>01</b>	Date	Andy	
WH2040BG3C REV A				2021/1/19		