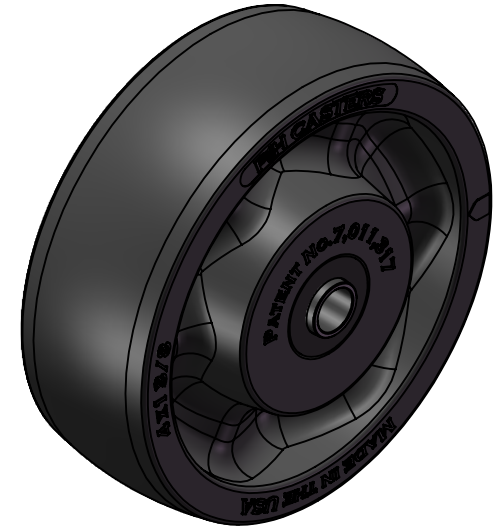


A-A



Dimensions in mm [inch]

P&H Casters		Scale 1:1.5	Volume (mm ³)	Drawn By: Hua	Date 2021/1/19
Description WHEEL				Reviewed Andy	<p>FIRST ANGLE PROJECTION</p>
Part Number WH2040BL3C REV A	Revision	Sheet 01	Date 2021/1/19		