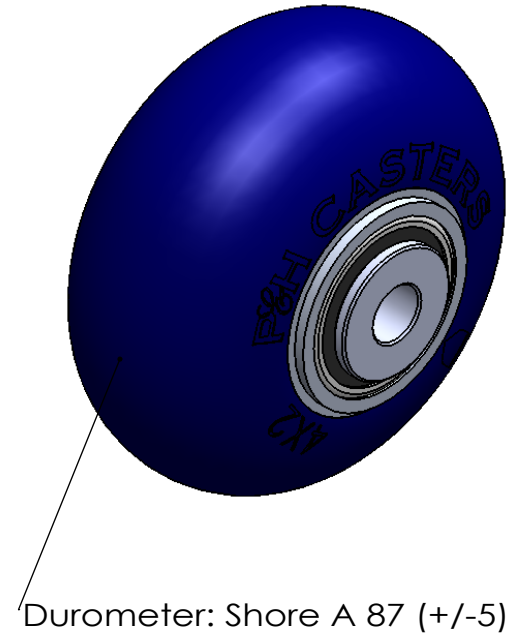


A-A



Dimensions in mm [in]

P&H Casters		Scale 1:1.5	Volume (mm ³)	Drawn By: Ronny	Date 2022/08/26
Description WHEEL				Reviewed By: Andy	 FIRST ANGLE PROJECTION
Part Number W850420UB1	Revision REV A	Sheet 01	Date 2022/08/26		