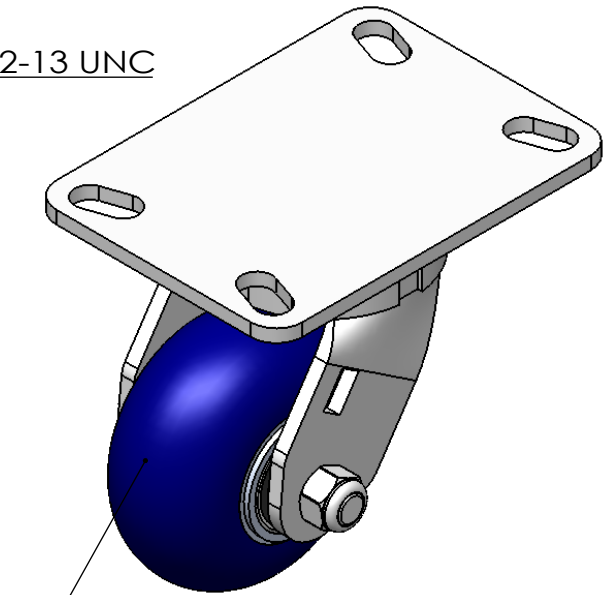


1/2-13 UNC



Durometer: Shore A 87 (+/-5)

Dimensions in mm [ inch ]

<b>P&amp;H Casters</b>		Scale	<b>1:2.5</b>	Volume ( mm <sup>3</sup> )	Drawn By:	Date
Description		CASTER			Hua	2022/12/9
Part Number	Revision	Sheet	<b>01</b>	Date	Andy	
X50P74280ULRG	REV A			2022/12/9		