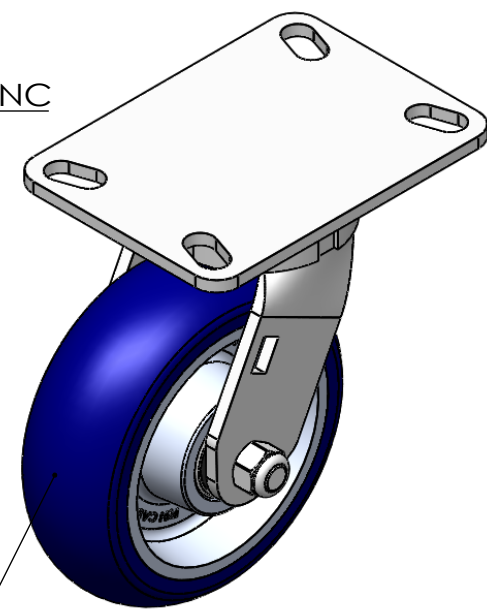
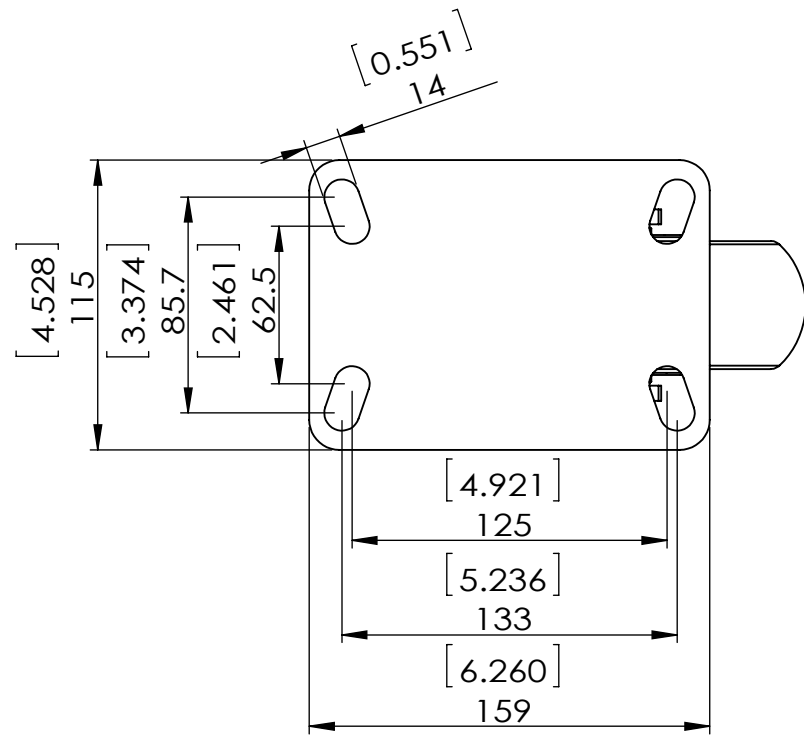


1/2-13 UNC



Durometer: Shore A 87 (+/-5)



Dimensions in mm [ inch ]

<b>P&amp;H Casters</b>		Scale	<b>1:3</b>	Volume ( mm ^ 3 )	Drawn By:	Date
Description		CASTER		Reviewed	Hua	2022/12/9
Part Number	Revision	Sheet	<b>01</b>	Date	Andy	
X50P76280ULRG	REV A	2022/12/9				