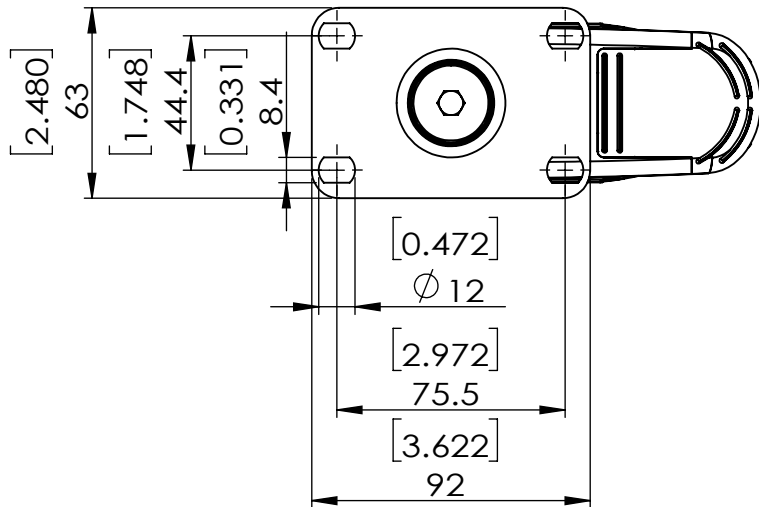


Durometer: Shore A85 (+/-5)  
 Wheel P/N: WN20DBG3B2



Dimensions in mm [ in ]

<b>P&amp;H Casters</b>	Scale: <b>1:2.5</b>	Weight ( lbs): 1.7	Drawn By: Ronny	Date: 2023/11/08
Description: CASTER			Reviewed By: Andy	 FIRST ANGLE PROJECTION
Part Number: P25P1DBNG3XT	Revision: REV A	Sheet: <b>01</b>	Date: 2023/11/08	