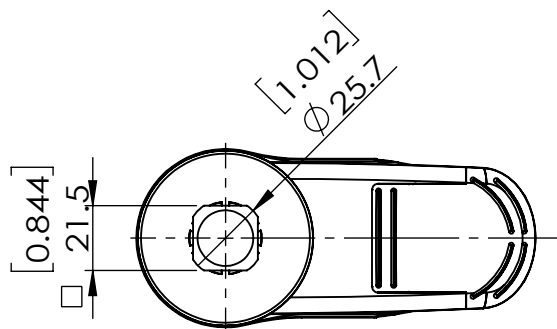


Durometer: Shore A85 (+/-5)
 Wheel P/N: WN20DBG3B2



Dimensions in mm [in]

P&H Casters	Scale: 1:2.5	Weight (lbs): 1.7	Drawn By: Ronny	Date: 2023/12/14
Description: CASTER			Reviewed By: Andy	 FIRST ANGLE PROJECTION
Part Number: P25S5DBNG3XL	Revision: REV A	Sheet: 01	Date: 2023/12/14	